

---

DESPIECE TECNICO

---

**Hornos eléctricos**  
**Fours électriques**  
**Electric ovens**  
**Elektro heissluftdämpfer**  
**Forni elettrici**  
**Fornos eletricos**

**Modelos:**

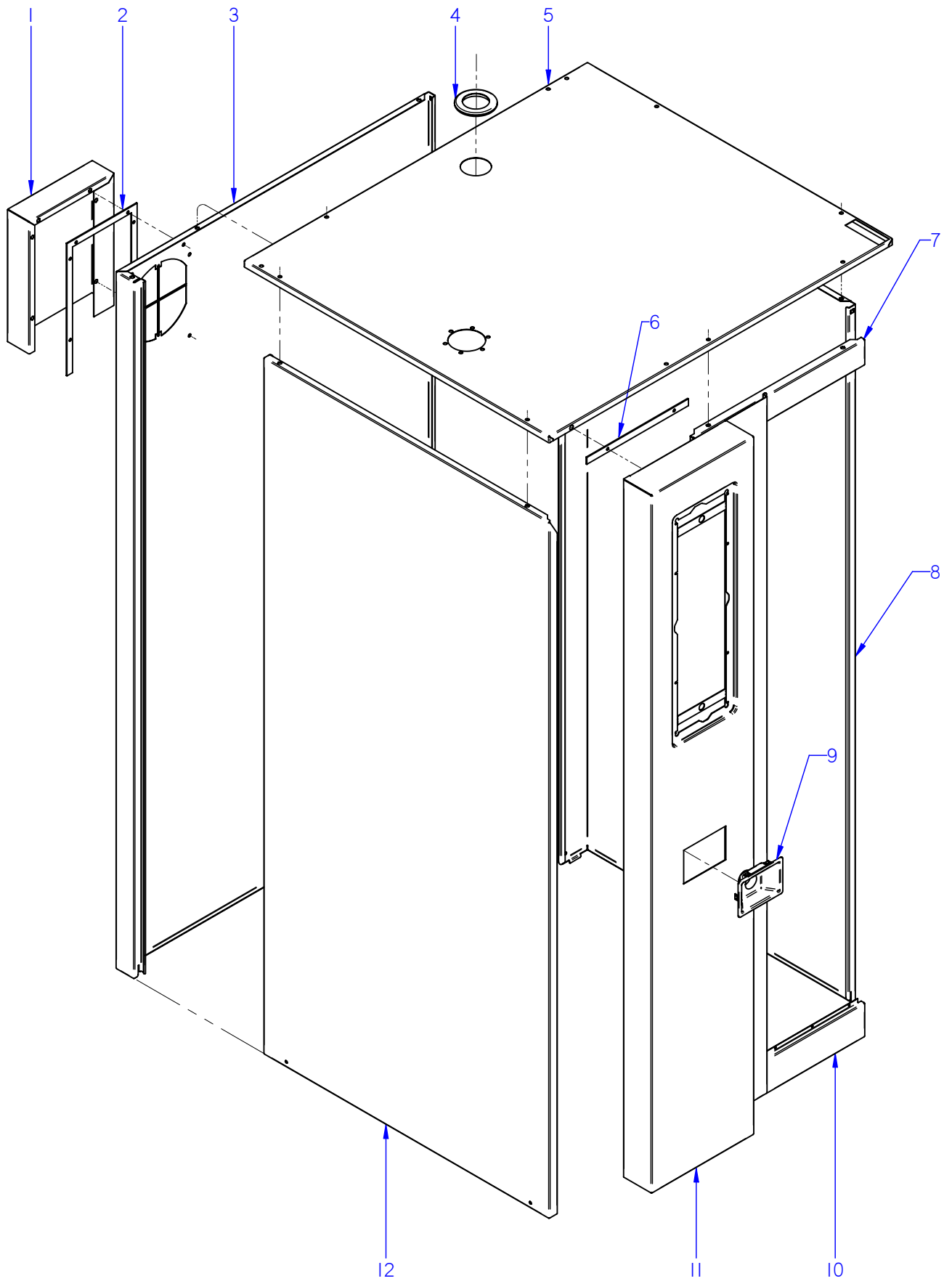
**AE-201**  
**ACE-201**  
**APE-201**

***Septiembre 2012 September***  
***Revisado Marzo 2013 March Revised***



---

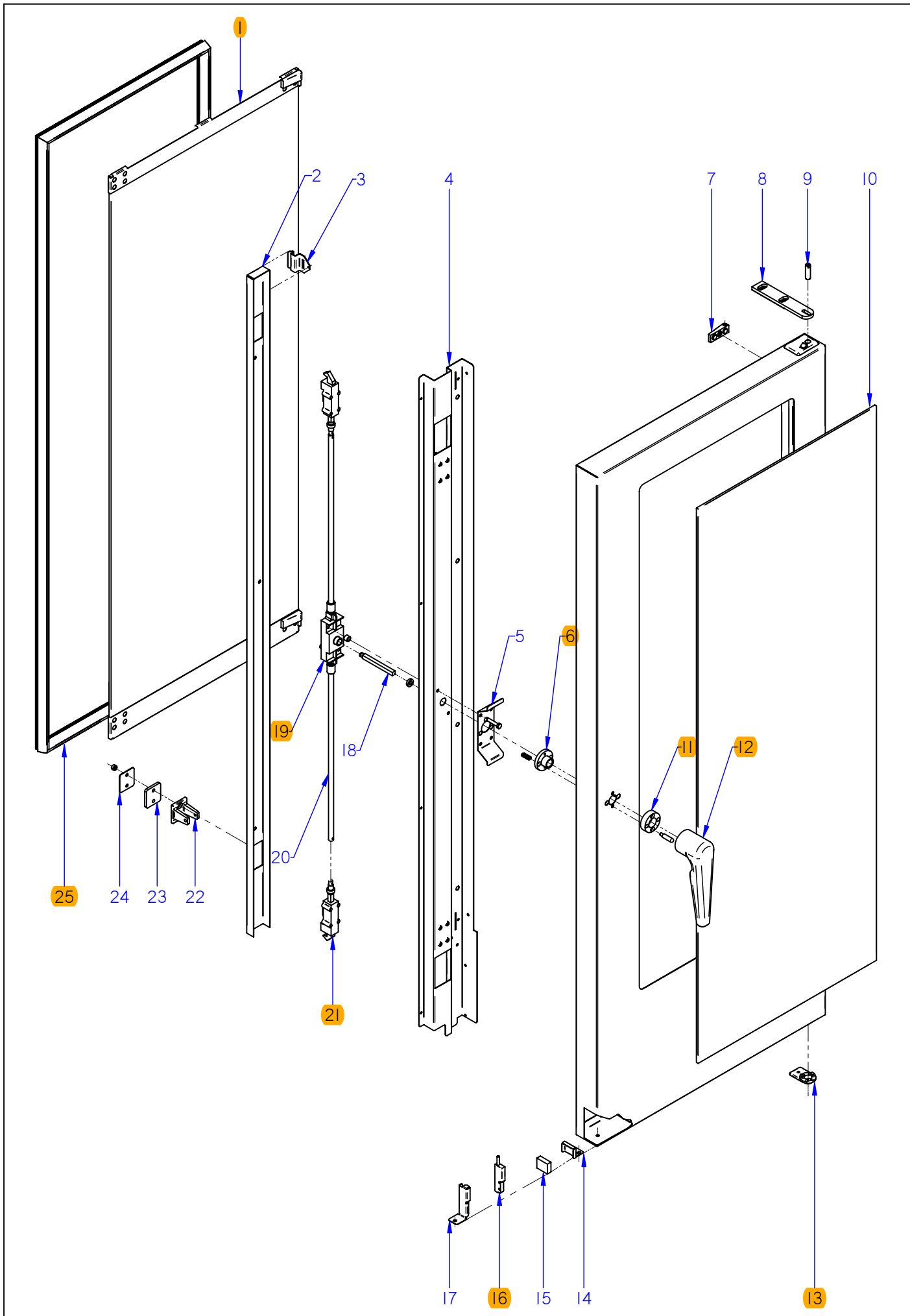
F A G O R I N D U S T R I A L



ITEM MARCADO EN COLOR = REPUESTO RECOMENDADO  
 COLOURED ITEM = RECOMMENDED SPARE PART

Nº plano / N° plane	Firma	Fecha / Date	Denominación / Denomination:	MUEBLE / UNIT	Lamina / Sheet	Fagor Industrial S.Coop. <b>FAGOR</b>
C-3022	<i>[Signature]</i>	2012-09	HORNOS AE; ACE; APE-201		1	Oñate

MOD.		HORNOS / OVEN		ZONA / ZONE		MUEBLE / UNIT						PLANO DIAGRAM		C-3022	
ITEM	CODIGO REFERENCE	DENOMINACION	DENOMINATION	ACE-201	AE-201	APE-201						ELIMINADO ELIMINATED	INTRODUCID. INTRODUCED	NOTAS	
1	12022556	CHAPA SEPARACION IPX5 20-21	SEPARATION PLATE IPX5 20-21	1	1	1						01.11.12			
1	12022557	CHAPA SEPARACI. IPX5 20 SOLD.	SEPARAT. PLATE IPX5 20 WEL.	1	1	1							01.11.12		
	12010163	REMACHE EXAGONAL M.5	HEXAGONAL RIVET M.5	12	12	12									
2	12024081	JUNTA IPX5 20-21	SEAL IPX5 20-21	1	1	1									
	12009944	ARANDELA A5	FLAT WASHER A.5	6	6	6									
	12009890	ARANDELA ABANICO A5 A.304	FAN SHAPED WASHER A.5	6	6	6									
	12010238	TORNILLO EXAGONAL M5X10	HEXAGONAL BOLT M5X10	6	6	6									
3	12041103	PANEL POSTERIOR 201 ADV	REAR PANEL 201 ADV	1	1	1									
4	12024231	PASAMUROS CHIMENEA 10100336	FEED THROUGH FLUE PIPE 1010	2	2	2									
	12010242	TORNIL. APLASTADO M5X13 A 304	FLAT SCREW M.5x13	8	8	8									
5	12043253	PANEL SUPERIOR SOLD. AE 201	TOP PANEL AE 201 SOLDIER	1	1	1									
6	12041319	JUNTA PORTAMANDOS 201 ADV	CONTROL PANEL SEAL 201 ADV	1	1	1									
7	12041125	PANEL FRONTAL SUPE. 201 ADV	UPPER FRONT PANEL 201 ADV	1	1	1									
	12010163	REMACHE EXAGONAL M.5	HEXAGONAL RIVET M.5	2	2	2									
	12010065	REMACHE AVINOX Ø3.2X6MM	AVINOX Ø3.2X6MM RIVET	7	7	7									
8	12041123	PANEL EXTERIOR DCHO 201 ADV	RIGHT PANEL 201 ADV	1	1	1									
9	12041736	EMBELLECEDOR DUCHA AD	SHOWER TRIM AD	-	1	1									
10	12041126	PANEL FRONTAL INFER. 201 ADV	LOWER FRONT PANEL 201 ADV	-	1	1									
	12010065	REMACHE AVINOX Ø3.2X6MM	AVINOX Ø3.2X6MM RIVET	7	7	7									
11	12043998	PANEL PORTAMANDOS ACE 201	CONTROL PANEL ACE 201	1	-	-									
11	12041099	PANEL PORTAMANDOS AE 201	CONTROL PANEL AE 201	-	1	-									
11	12043844	PANEL PORTAMANDOS APE 201	CONTROL PANEL APE 201	-	-	1									
12	12041157	PANEL EXT. IZQUIERDO 201 ADV	REAR LEFT PANEL 201 ADV	1	1	1									
	12010163	REMACHE EXAGONAL M.5	HEXAGONAL RIVET M.5	3	3	3									
	12010242	TORNIL. APLASTADO M5X13 A 304	FLAT SCREW M.5x13	4	4	4									

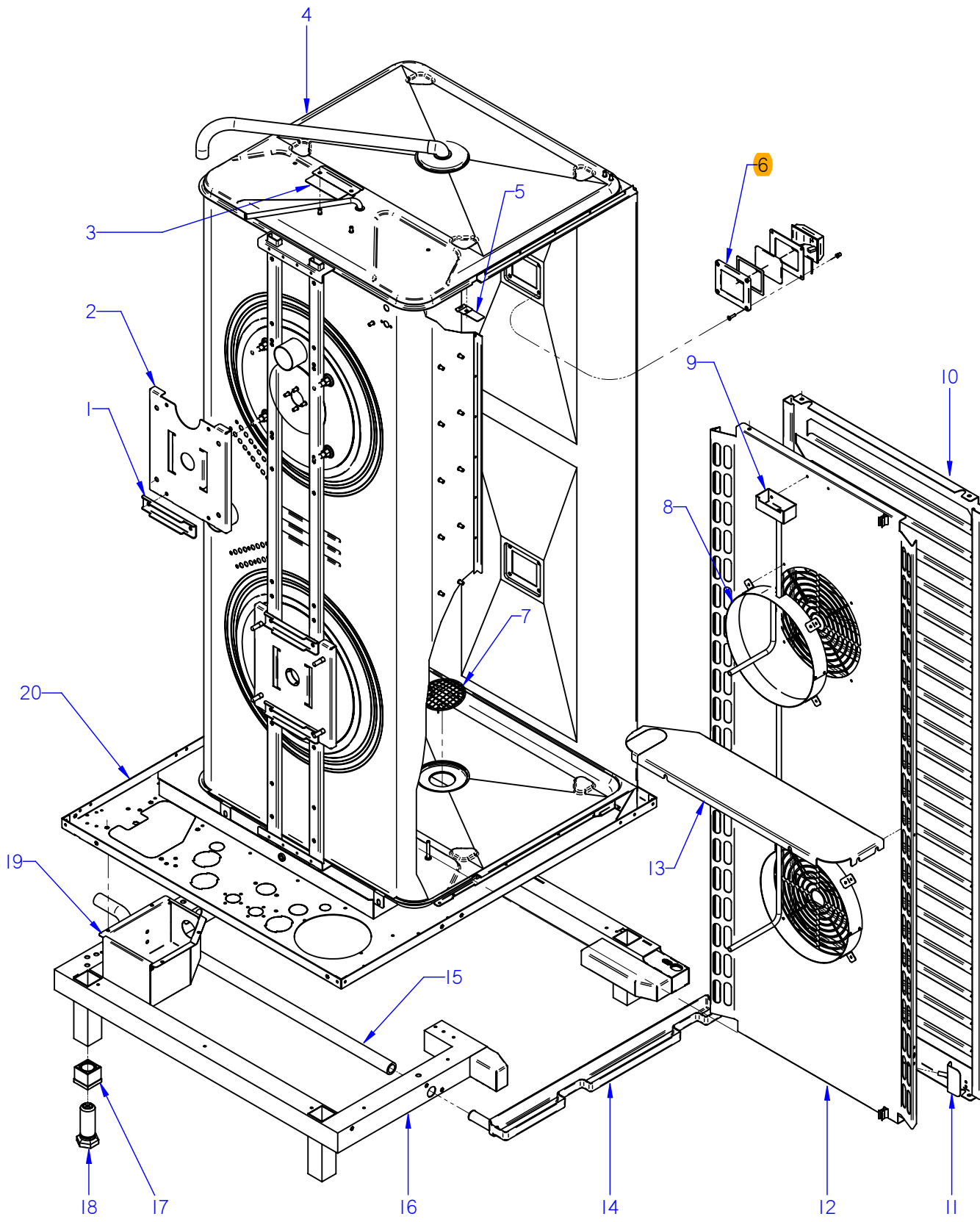


ITEM MARCADO EN COLOR = REPUESTO RECOMENDADO  
 COLOURED ITEM = RECOMMENDED SPARE PART

Nº plano / N° plane	Firma	Fecha / Date	Denominación / Denomination: PUERTA / DOOR	Lamina / Sheet	Fagor Industrial S.Coop. <b>FAGOR</b>
C-3023	<i>[Signature]</i>	2012-09	HORNOS AE; ACE; APE-201	2	Oñate

MOD.		HORNOS / OVEN	ZONA / ZONE	PUERTA / DOOR							PLANO DIAGRAM	C-3023	
ITEM	CODIGO REFERENCE	DENOMINACION	DENOMINATION	ACE-201	AE-201	APE-201					ELIMINADO ELIMINATED	INTRODUCID. INTRODUCED	NOTAS
	12046022	KIT PUERTA 201	DOOR 201 KIT	1	1	1							
1	12041083	KIT CRISTAL INTER. 201	201 INNER GLASS KIT	1	1	1							
2	12039324	TAPA CIERRE PUERTA 202	DOOR CLOSING COVER 202	1	1	1							
	12010226	TORNILLO ALOMADO.M5X10	CURVED SCREW .M5X10	2	2	2							
	12010278	TORNILLO ALOMADO M4X10	CURVED SCREW M.4x10	2	2	2							
3	12024319	PESTILLO	INNER GLASS HINGE	2	2	2							
4	12039302	CONTRAPUERTA MANILLA 202	COMPLETE HANDLE DOOR 202	1	1	1							
5	12039326	SUPLEMENTO SUJ. CERRADURA	LOCK FIXING SUPPLEMENT	1	1	1							
6	12024389	GUIA MANILLA	HANDLE GUIDE	1	1	1							
	12023608	PITON ENGANCHE PUERTA	DOOR FASTENER SPIKE	2	2	2							
7	12024402	BASE DE BISAGRA	HINGE BASE	2	2	2							
	12010209	TORNILLO AVELLANADO M5X15	COUNTERSUNK SCREW M.5x15	2	2	2							
8	12039312	BISAGRA SUPERIOR	UPPER HINGE	1	1	1							
	12009882	ARANDELA ABANICO A6 A.304	FAN SHAPED WASHER A.6	3	3	3							
	12010106	TORNILLO ALLEN INOX. M6X35MM	ALLEN BOLT STAINLE.M6X35MM	3	3	3							
9	12023636	EJE SUPERIOR	UPPER SHAFT	1	1	1							
	12023631	ARANDELA AMARRE	DOOR ANCHORING WASHER	1	1	1							
	12023716	RESORTE 06329	SPRING 06329	1	1	1							
	12009882	ARANDELA ABANICO A6 A.304	FAN SHAPED WASHER A.6	1	1	1							
	12010186	TORNILLO EXAGONAL M6X15 A304	HEXAGONAL SCREW M6X15	1	1	1							
10	12039463	CRISTAL EXTERIOR 201 ADV	EXTERIOR GLASS 201 ADV	1	1	1							
11	12024505	SOPORTE RESORTE	SPRING HOLDER	1	1	1							
	12024164	RESORTE 34548	SPRING	2	2	2							
	12010213	TORNILLO ALOMADO M5x15	CURVED SCREW M.5x15	2	2	2							
12	12044776	ASA COMPLETA 2/1 ADVANCE	HANDLE 2/1 ADVANCE	1	1	1							
	12010236	VARILLA ROSCADA M6X15	THREADED ROD M.6x15	1	1	1							
13	12039311	BASE BISAGRA INFERIOR PUERTA	LOWER DOOR HINGE BASE	1	1	1							
	12009890	ARANDELA ABANICO A5 A.304	FAN SHAPED WASHER A.5	1	1	1							
	12009944	ARANDELA A5	FLAT WASHER A.5	1	1	1							





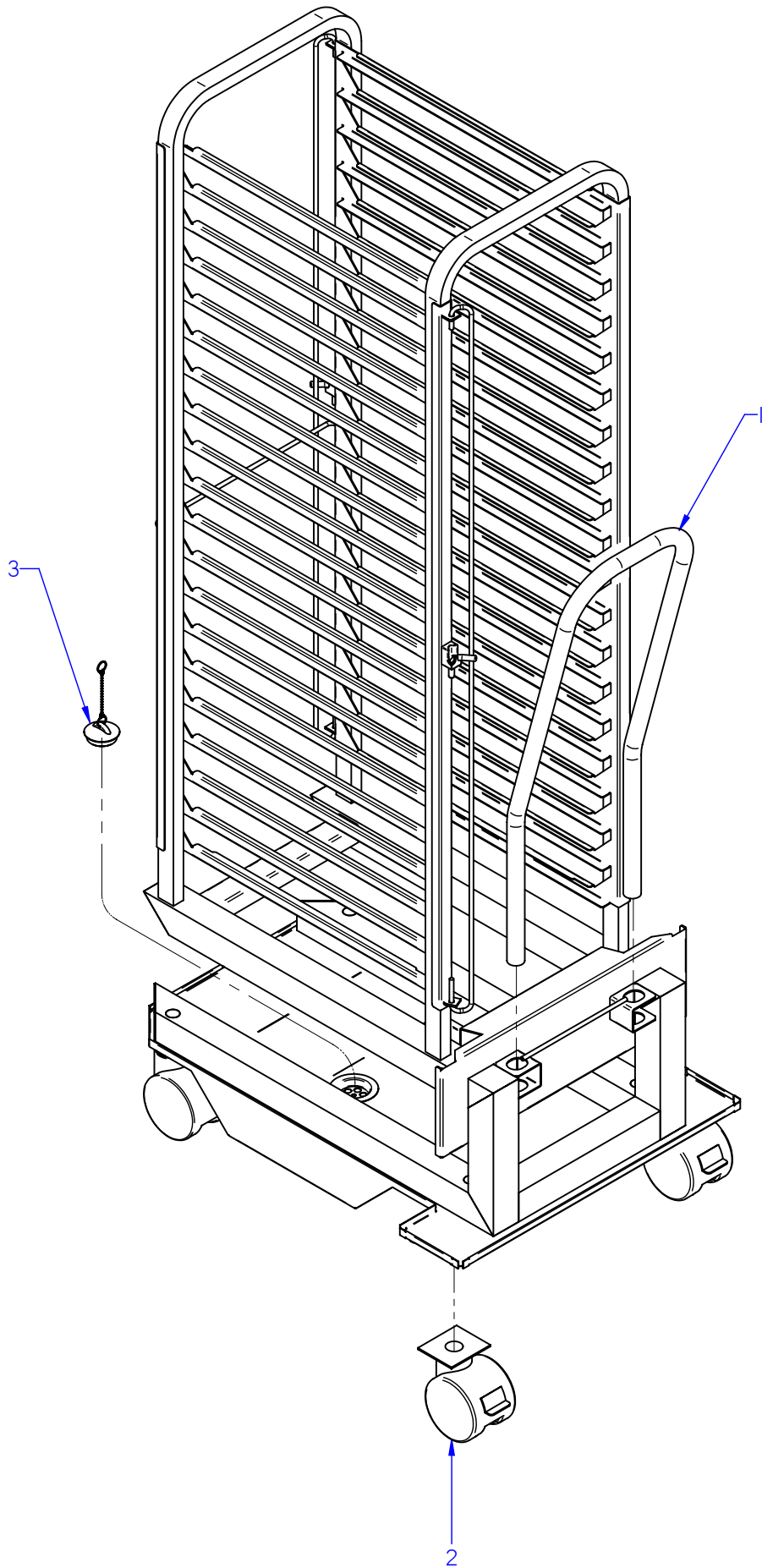
ITEM MARCADO EN COLOR = REPUESTO RECOMENDADO  
 COLOURED ITEM = RECOMMENDED SPARE PART

Nº plano / N° plane	Firma	Fecha / Date	Denominación / Denomination:	MUEBLE INTERIOR / INTERIOR OVEN	Lamina / Sheet	Fagor Industrial S.Coop. <b>FAGOR</b>
C-3024	<i>(Signature)</i>	2012-09	HORNOS AE; ACE; APE-201		3	Oñate

MOD.		HORNOS / OVEN	ZONA / ZONE	MUEBLE INTERIOR / INTERIOR OVEN							PLANO DIAGRAM	C-3024	
ITEM	CODIGO REFERENCE	DENOMINACION	DENOMINATION	ACE-201	AE-201	APE-201					ELIMINADO ELIMINATED	INTRODUCID. INTRODUCED	NOTAS
1	12039460	REFUERZO MOTOR	MOTOR REINFORCEMENT	3	3	3							
	12009944	ARANDELA A5	FLAT WASHER A.5	8	8	8							
	12010221	TORNILLO EXAGONAL M5X15	HEXAGONAL BOLT M5X15	8	8	8							
2	12039615	SOPORTE MOTOR	SOPORTE MOTOR	2	2	2							
S/Nº	12039333	PERFIL SOPORTE MOTOR 202	RAIL MOTOR 202	2	2	2							
	12010163	REMACHE EXAGONAL M.5	HEXAGONAL RIVET M.5	16	16	16							
	12010238	TORNILLO EXAGONAL M5x10	HEXAGONAL BOLT M5x10	8	8	8							
3	12039529	SOPORTE LIMITADOR CAMARA	LIMITER BRACKET CAMERA	1	1	1							
	12009868	ARANDELA PLANA INOX 6MM	WASHER FLAT 6 MM INOX.	2	2	2							
	12010255	TORNILLO EXAGONAL M6 INOX.	HEXAGONAL SCREW M6 INOX.	2	2	2							
4	12046418	CUERPO INT. COMPL. ACE 201	INTERIOR FULL BODY ACE 201	1	-	-					01.10.12		
4	12046418	CUERPO INT. COMPL. ACE 201	INTERIOR FULL BODY ACE 201	1	-	-						01.10.12	
4	12046361	CUERPO INT. COMPL. AE 201	INTERIOR FULL BODY AE 201	-	1	-					01.10.12		
4	12041107	CUERPO INT. COMPL. AE 201	INTERIOR FULL BODY AE 201	-	1	-						01.10.12	
4	12046403	CUERPO INT. COMPL. 201 APE	INTERIOR FULL BODY 201 APE	-	-	1					01.10.12		
4	12043827	CUERPO INT. COMPL. 201 APE	INTERIOR FULL BODY 201 APE	-	-	1						01.10.12	
	12010002	REMACHE EXAGONAL M.4 INOX	HEXAGONAL RIVET M.4 INOX	8	8	8							
	12010267	ARANDELA 16X6X1.2 A.304	FLAT WASHER 16X6X1.2 A.304	4	4	4							
	12010186	TORNILLO EXAGONAL M6X15 A304	HEXAGONAL SCREW M6X15	4	4	4							
S/Nº	12023935	PUNTA DIFUSORA LAVADO	WASHING DISPENSER POINT	-	-	1							
5	12041767	SOPORTE SONDA PINCHO CAMARA	CAMERA PROBE SUPP. PINCHO	1	1	1					14,02,13		
	12009890	ARANDELA ABANICO A5 A.304	FAN SHAPED WASHER A.5	1	1	1					14,02,13		
	12010284	TORNILLO EXAGONAL M5 INOX.	HEXAGONAL SCREW M5 INOX.	1	1	1					14,02,13		
	12010090	REMACHE AVINOX Ø4X7,5MM	AVINOX RIVET Ø4X7,5MM	1	1	1					14,02,13		
6	12024464	MARCO LAMPARA	LAMP ANCHORING PLATEN	2	2	2							
S/Nº	12023532	JUNTA INTERIOR LAMPARA	LAMP INNER JOINT	2	2	2							
S/Nº	12023668	CRISTAL LAMPARA	LAMP GLASS	2	2	2							
S/Nº	12023578	JUNTA EXTERIOR LAMPARA	LAMP OUTER JOINT	2	2	2							
S/Nº	12024545	PORTALAMPARAS	LAMP HOLDER	2	2	2							
S/Nº	12025123	LAMPARA 10W-12V	LIGHT 10W 12V	2	2	2							
	12010262	TORNILLO AVELLANADO M4X15	COUNTERSUNK SCREW M.4x15	8	8	8							



MOD.		HORNOS / OVEN		ZONA / ZONE		MUEBLE INTERIOR / INTERIOR OVEN						PLANO DIAGRAM		C-3024	
ITEM	CODIGO REFERENCE	DENOMINACION	DENOMINATION	ACE-201	AE-201	APE-201						ELIMINADO ELIMINATED	INTRODUCID. INTRODUCED	NOTAS	
7	12020331	FILTRO DESAGÜE 201	DRAINAGE FILTER 201	1	1	1									
8	12039604	061 SUPL. CUBREVENTILADOR	061 SUPPL. FAN COVER	2	2	2									
S/Nº	12021993	FIJACIÓN SUPLEMENTO	FAN COVER SUPPLEMENT BINDI	8	8	8									
9	12043671	INYECTOR COMPL CAE 202	COMPLETE INJECTOR CAE 202	1	-	-									
S/Nº	12022242	DISTRIBUIDOR INYECTOR	NOZZLE DISTRIBUTOR	1	-	-									
10	12044008	PORTABANDEJAS 201 ACE	ACE 201 HOLDER	2	-	-						01.03.13			
10	12044008	PORTABANDEJAS 201 ACE	ACE 201 HOLDER	1	-	-							01.03.13		
10	12049000	GUIA BANDEJA 201 SOLDADA	WELDED TRAY GUIDE 201	1	-	-							01.03.13		
S/Nº	12039606	RESORTE PORTABANDEJAS	SPRING HOLDER	4	-	-						01.03.13			
S/Nº	12039606	RESORTE PORTABANDEJAS	SPRING HOLDER	5	-	-							01.03.13		
S/Nº	12048408	SOPORTE CORE HOLDER	CORE HOLDER SUPPORT	1	-	-							01.03.13		
11	12045293	SOPORTE PINCHO 202	SUPP. PINCHO 202	1	1	1									
12	12041090	CUBREVENTILADOR 201 ADV	FAN COVER 201 ADV	1	1	1									
S/Nº	12039606	RESORTE PORTABANDEJAS	SPRING HOLDER	2	2	2						01.03.13			
S/Nº	12021991	ENGANCHE PORTABANDEJAS	HOOK HOLDER TRAYS	2	2	2							01.03.13		
13	12041119	CHAPA REFUERZO CUBA AE 201	CUBA REINFOR. PLATE AE 201	1	1	1									
	12009868	ARANDELA PLANA INOX 6MM	WASHER FLAT 6 MM INOX.	7	7	7									
	12009882	ARANDELA ABANICO A6 A.304	FAN SHAPED WASHER A.6	7	7	7									
	12010255	TORNILLO EXAGONAL M6 INOX.	HEXAGONAL SCREW M6 INOX.	7	7	7									
14	12039467	RECOGEAGUAS HORNO 201	SPRING WATER COLLE. 201	1	-	-									
15	12039498	TUBO RECOGEAGUAS 101	COLLECT WATER PIPE 101	1	-	-									
	12009628	ABRAZADERA ELAST. 26.7-28.1	SPRING CLAMP 26.7-28.1	2	-	-									
16	12043987	REFUERZO BASE COM. 201 ACE	FULL BASE REINFORC. 201 ACE	1	-	-									
16	12041105	REFUERZO BASE COM. 201 ADV	FULL BASE REINFORC. 201 ADV	-	1	1									
	12010163	REMACHE EXAGONAL M.5	HEXAGONAL RIVET M.5	16	16	16									
	12010090	REMACHE AVINOX Ø4X7,5 MM	AVINOX Ø4X7,5 MM RIVET	16	16	16									
17	12043392	TUERCA PATA 202 ADVANCE	NUT LEG 202 ADVANCE	4	4	4									
18	12043393	TORNILLO PATA 202 ADVANCE	SCREW LEG 202 ADVANCE	4	4	4									
19	12043894	CAJA CUBRE BOMBA ADV 202	PUMP CASE COVER ADV202	-	-	1									
	12010090	REMACHE AVINOX Ø4X7,5 MM	AVINOX Ø4X7,5 MM RIVET	-	-	4									
20	12041104	BASE EXTERIOR 1201 ADV	EXTERI. BASE 201 ADV	1	1	1									



ITEM MARCADO EN COLOR = REPUESTO RECOMENDADO  
 COLOURED ITEM = RECOMMENDED SPARE PART

Nº plano / N° plane	Firma	Fecha / Date	Denominación / Denomination:	CARRO / TROLLEY	Lamina / Sheet	Fagor Industrial S.Coop. <b>FAGOR</b>
C-3025	<i>name (signature)</i>	2012-09	HORNOS AE; ACE; APE-201	4	Oñate	



Nº plano / N° plane  
**C-3026**

Firma  
*(Firma)*

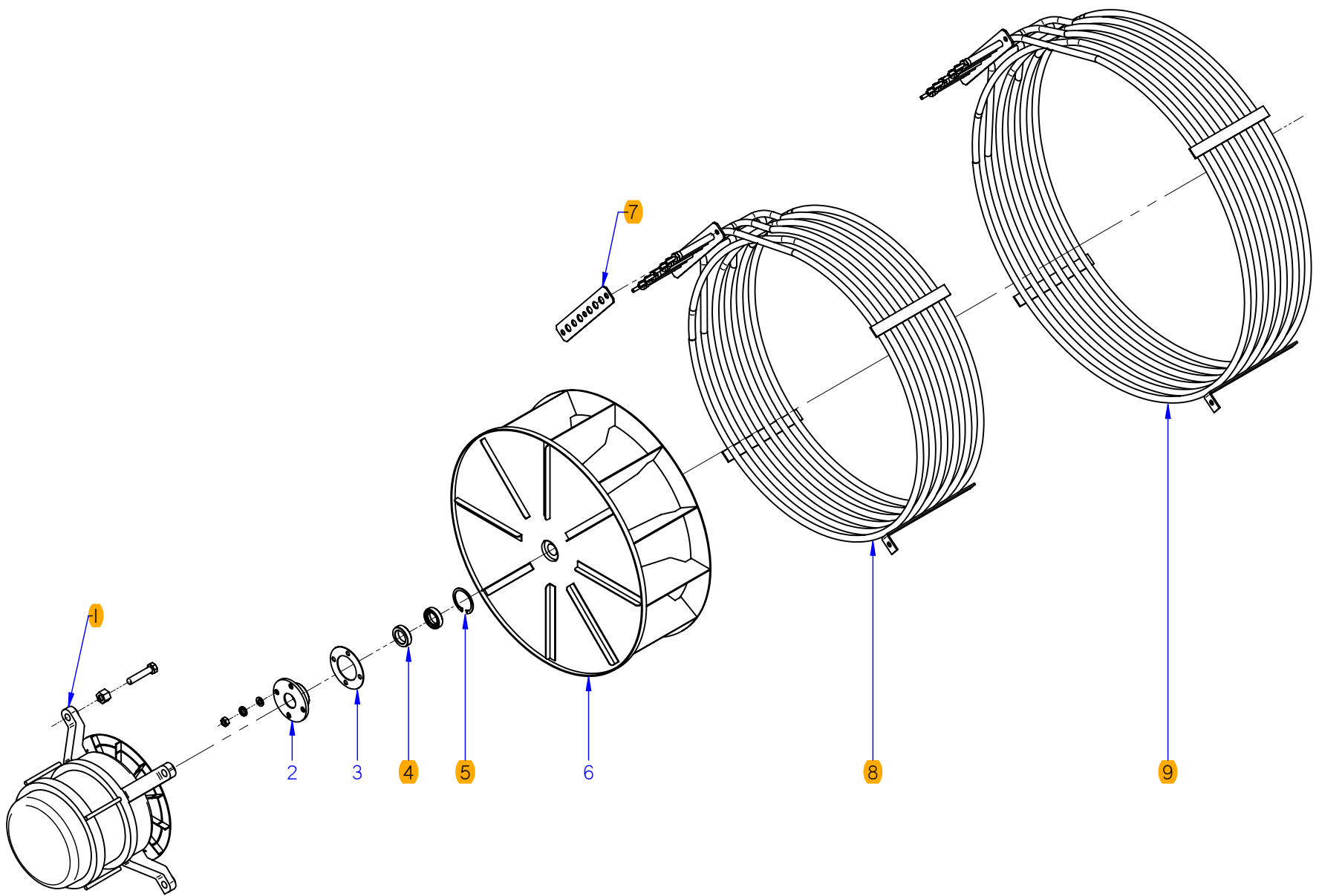
Fecha / Date  
**2012-09**

Denominación / Denomination:  
**HORNOS AE; ACE; APE-201**

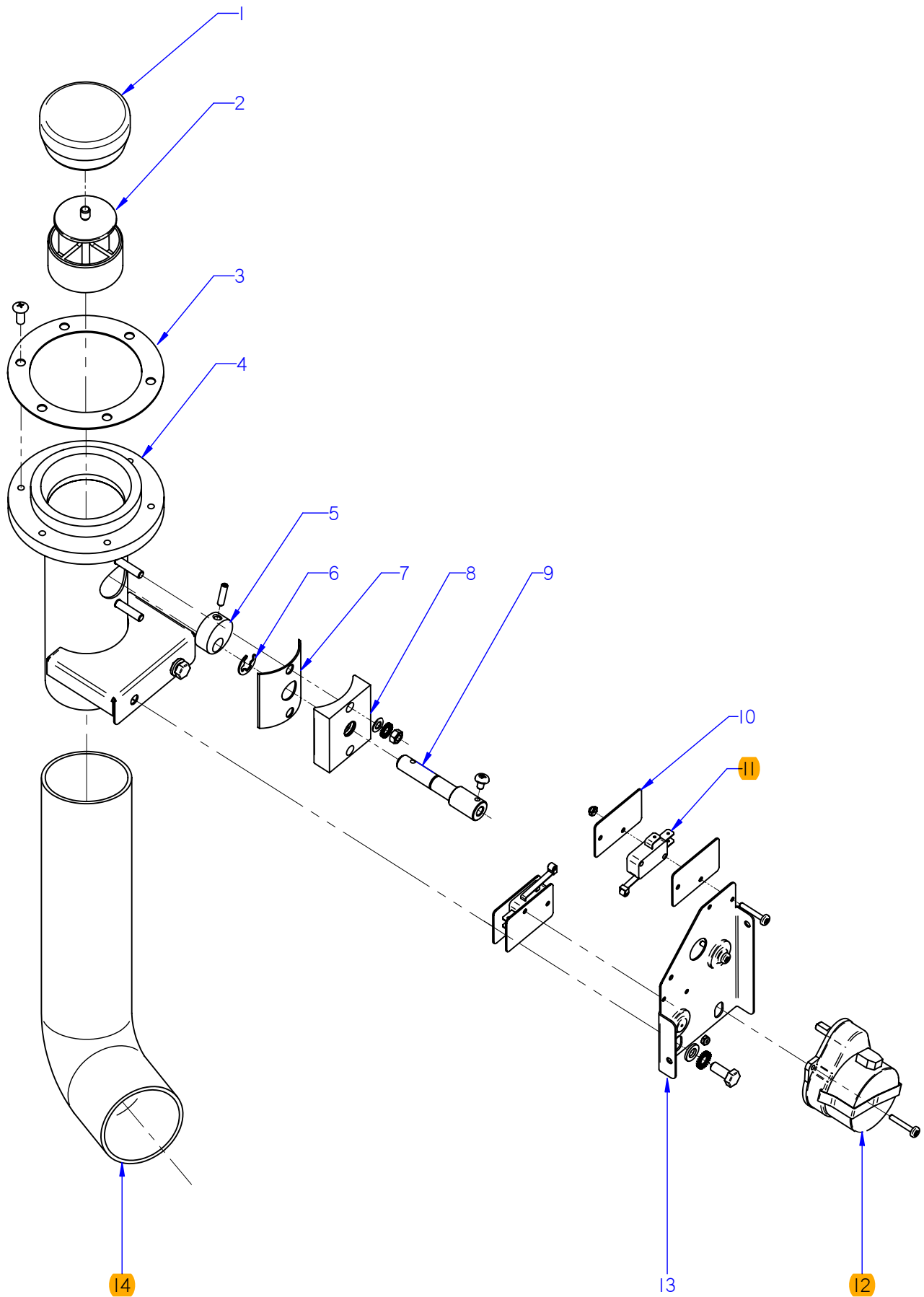
Lamina / Sheet  
**5**

Fagor Industrial S. Coop.  
**FAGOR**

**ITEM MARCADO EN COLOR = REPUESTO RECOMENDADO  
COLOURED ITEM = RECOMMENDED SPARE PART**



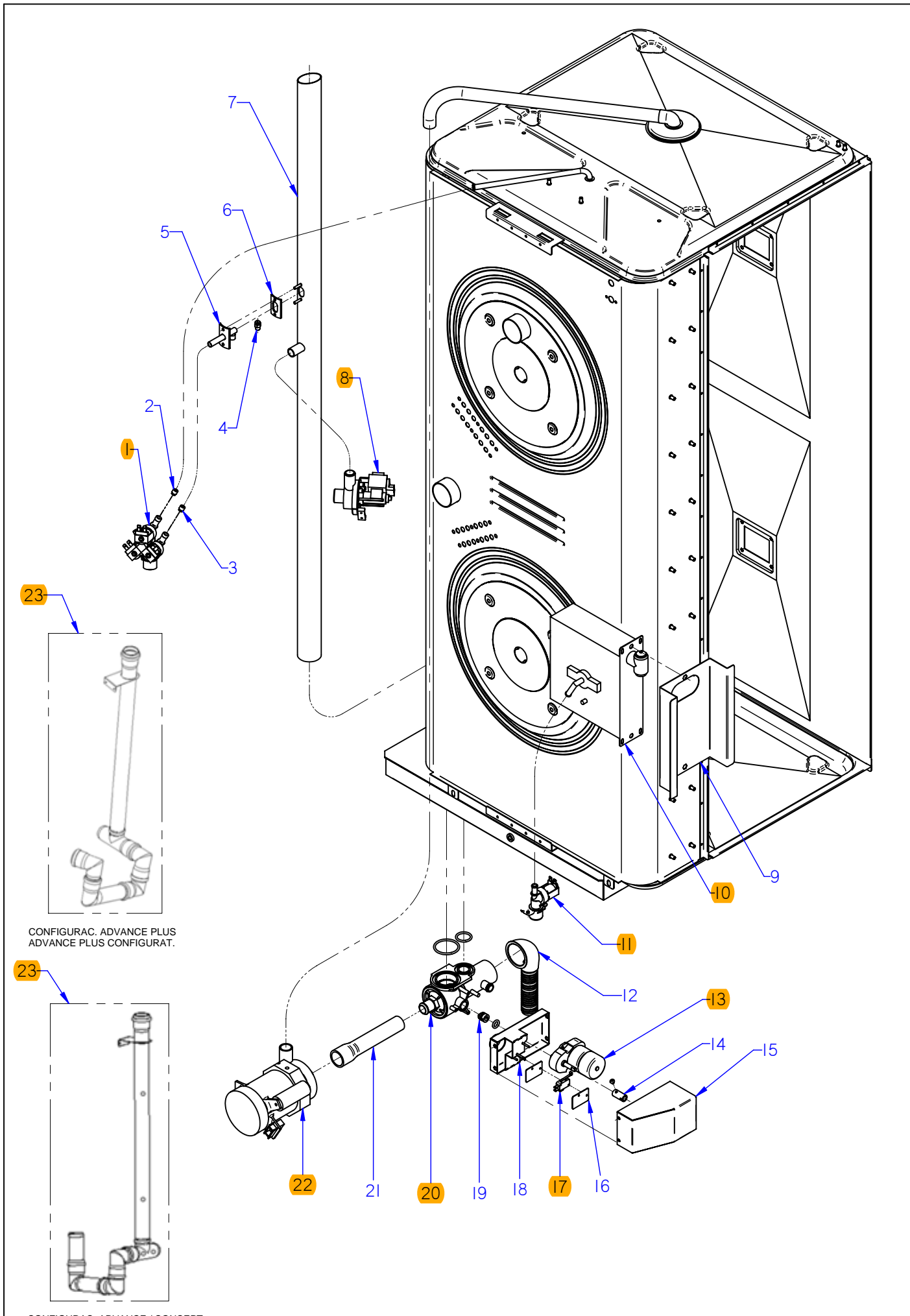
MOD.		HORNOS / OVEN	ZONA / ZONE	TURBINA / TURBINE							PLANO DIAGRAM	C-3026		
ITEM	CODIGO REFERENCE	DENOMINACION	DENOMINATION	ACE-201	AE-201	APE-201						ELIMINADO ELIMINATED	INTRODUCID. INTRODUCED	NOTAS
1	12024325	MOTOR 230V AC 3N650KW 1450RP	MOTOR 230V AC 3N650KW 1450	2	2	2								
S/Nº	12023560	DISTANCIADOR MOTOR 10/21	SPACER MOTOR 10/21	8	8	8								
	12010110	ARANDELA PLANA Fe Zn 8,40MM	WASHER FLAT Fe Zn 8,40MM	8	8	8								
	12009840	ARANDELA ABANICO INOX 8MM	FAN SHAPED WASHER NOX 8MM	8	8	8								
	12010210	TORNILLO EXAGONAL INOX 8MM	HEXAGONAL SCREW INOX 8MM	8	8	8								
2	12024742	CASQUILLO RETEN 10/21	SEAL BUSHING 10/21	2	2	2								
3	12024221	JUNTA CASQUILLO RETEN	SEAL BUSHING GASKET	2	2	2								
	12009868	ARANDELA PLANA INOX 6MM	WASHER FLAT 6 MM INOX.	8	8	8								
	12009882	ARANDELA ABANICO A6 A.304	FAN SHAPED WASHER A.6	8	8	8								
	12010255	TORNILLO EXAGONAL M6 INOX.	HEXAGONAL SCREW M6 INOX.	8	8	8								
	12010056	TORNILLO EXAGONAL M8X40 INOX	HEXAGONAL SCREW M8X40 INOX	8	8	8								
4	12024510	RETEN 17X28X7V	RETAINER 28x17x7	4	4	4								
5	12010122	ANILLO DE SEGURIDAD Ø 28X1.2	SAFETY RING 28x1,2	2	2	2								
6	12024306	TURBINA RECTA Ø350X127 HANN.	TURBINE RECTA Ø350X127 HAN	2	2	2								
	12024190	ARANDELA SEGURIDAD HANNING	HANNING SAFETY WASHER	2	2	2								
	12010030	TORNILLO EXAGONAL M10X20	HEXAGONAL SCREW M10X20	2	2	2								
7	12041165	JUNTA RESIST. CIRCULAR 1/1 ADV	RESIST. CIRCULAR 1/1 ADV SEAL	4	4	4								
8	12039496	RESIST.CONVECCION INT. 9Kw ADV	CONVECTION RESIST. INT. ADV	2	2	2								
9	12039497	RESIST.CONVECCION EXT. 9Kw ADV	RESIST.CONVECCION EXT. ADV	2	2	2								
	12009868	ARANDELA PLANA INOX 6MM	WASHER FLAT 6 MM INOX.	16	16	16								
	12009872	ARANDELA GROWER INOX 6MM	WASHER GROWER INOX 6MM	16	16	16								
	12010255	TORNILLO EXAGONAL M6 INOX.	HEXAGONAL SCREW M6 INOX.	4	4	4								
	12010232	ARANDELA LATON M-4	BRASS WASHER M-4	24	24	24								
	12010244	TUERCA EXAGONAL M4 LATON	BRASS HEXAGONAL NUT M4	24	24	24								



ITEM MARCADO EN COLOR = REPUESTO RECOMENDADO  
 COLOURED ITEM = RECOMMENDED SPARE PART

Nº plano / N° plane	Firma	Fecha / Date	Denominación / Denomination:	CHIMENEA / FLUEPIPE	Lamina / Sheet	Fagor Industrial S.Coop. <b>FAGOR</b>
C-3027	<i>[Signature]</i>	2012-09	HORNOS AE; ACE; APE 201		6	Oñate

MOD.		HORNOS / OVEN	ZONA / ZONE	CHIMENEA / FLUEPIPE							PLANO DIAGRAM	C-3027	
ITEM	CODIGO REFERENCE	DENOMINACION	DENOMINATION	ACE-201	AE-201	APE-201					ELIMINADO ELIMINATED	INTRODUCID. INTRODUCED	NOTAS
1	12024520	RETENCION DE VAPORES	CLOSE CHIMNEY	1	1	1							
2	12024500	GUIA RETENCION VAPORES	STEAM RETAINER GUIDE	1	1	1							
3	12023576	JUNTA BASE CHIMENEA	FLUEPIPE BASE SEAL	1	1	1							
	12010242	TORNIL. APLASTADO M5X13 A 304	FLAT SCREW M.5x13	6	6	6							
4	12022868	CONJUNTO CHIMENEA	COMPLETE CHIMNEY	1	1	1							
	12010126	REMACHE EXAGONAL M.6	HEXAGONAL RIVET M.6	2	2	2							
5	12024328	LEVA EJE CHIMENEA	FLUEPIPE SHAFT CAM	1	1	1							
	12010258	VARILLA ROSCADA M4X16	THREADED ROD M4X16	1	1	1							
6	12010014	ARANDELA DE SEGURIDAD Ø8	SAFETY WASHER Ø8	1	1	1							
7	12023497	JUNTA EJE CHIMENEA	FLUEPIPE SHAFT SEAL	1	1	1							
8	12024436	GUIA EJE CHIMENEA	FLUEPIPE SHAFT GUIDE	1	1	1							
S/Nº	12010274	JUNTA TORICA 9.19x2.62	O-RING 9.19x2.62	1	1	1						01.03.13	
	12009944	ARANDELA A5	FLAT WASHER A.5	2	2	2							
	12009890	ARANDELA ABANICO A5 A.304	FAN SHAPED WASHER A.5	2	2	2							
	12010284	TUERCA EXAGONAL M5	HEXAGONAL NUT M.5	2	2	2							
9	12024435	EJE CHIMENEA ELECTRICA	ELECTRIC FLUEPIPE SHAFT	1	1	1							
	12009876	TORNILLO ALOMADO M4X6 ZINC.	CURVED SCREW M4X6 ZINC.	1	1	1							
10	12009985	PLACA SEPARADORA	SPACER PLATE	4	4	4							
	12010247	TORNILLO ALOMADO M3X20	CURVED SCREW M3X20	4	4	4							
	12010289	TUERCA AUTOBLOCANTE M3	SELF-LOCKING NUT M3	4	4	4							
11	12025193	INTERRUPTOR PUERTA	DOOR SWITCH	2	2	2							
12	12024638	MOTOR CHIMENEA	FLUEPIPE MOTOR	1	1	1							
13	12022146	ESCUA. AMARRE MOTOR CHIMEN.	FLUEPIPE MOTOR FASTENING B	1	1	1							
	12009868	ARANDELA A6	WASHER A6	2	2	2							
	12009882	ARANDELA ABANICO A6 A.304	FAN SHAPED WASHER A.6	2	2	2							
	12010186	TORNILLO EXAGONAL M6X15 A304	HEXAGONAL SCREW M6X15	2	2	2							
14	12024122	TUBO FLEXIBLE Ø53X360	FLEXIBLE TUBE Ø53X360	1	1	1							
	12009962	ABRAZADERA 40*60	CLAMP 40*60	2	2	2							



CONFIGURAC. ADVANCE PLUS  
ADVANCE PLUS CONFIGURAT.

CONFIGURAC. ADVANCE / CONCEPT  
ADVANCE / CONCEPT CONFIGURAT.

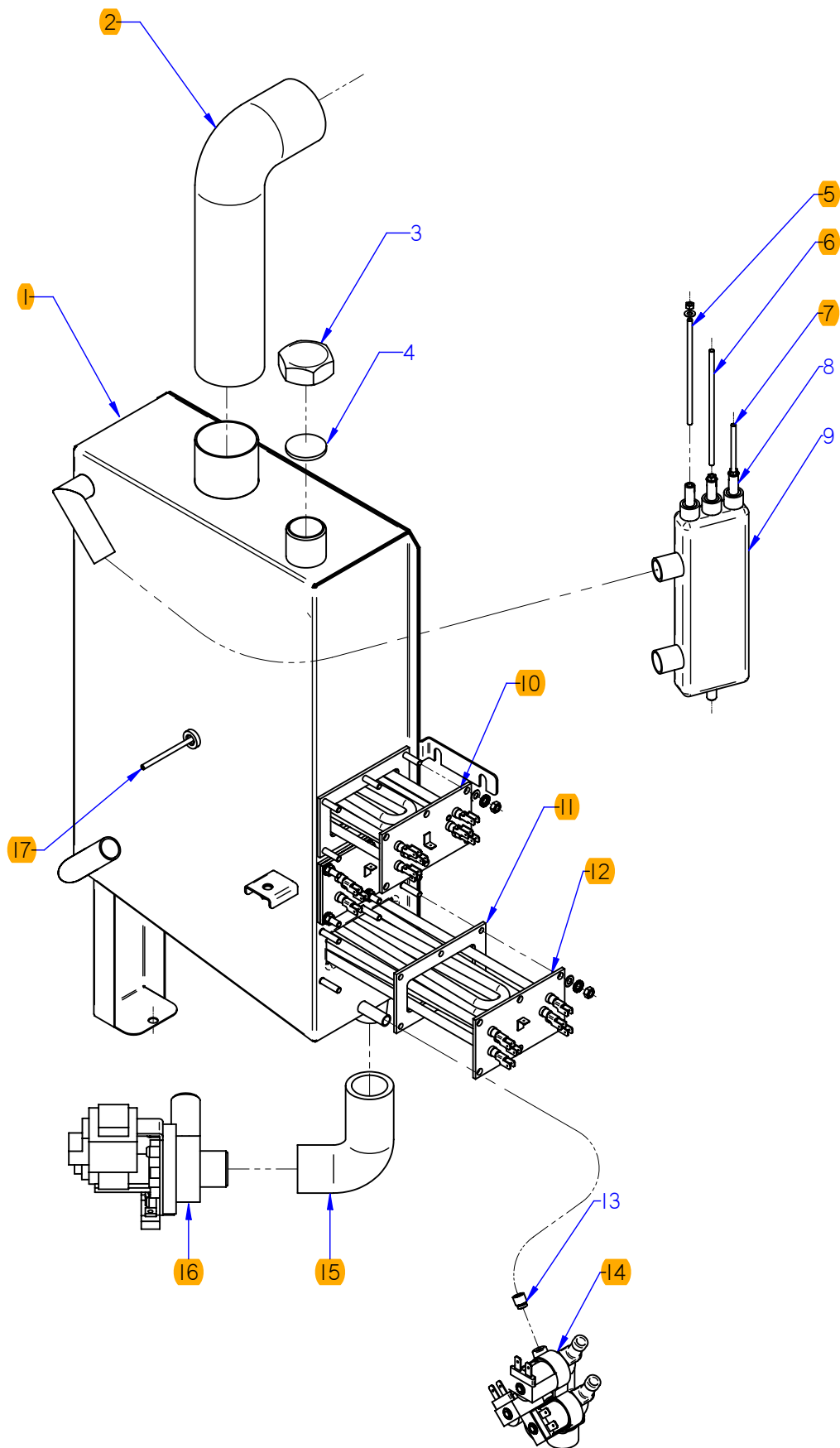
ITEM MARCADO EN COLOR = REPUESTO RECOMENDADO  
COLOURED ITEM = RECOMMENDED SPARE PART

Nº plano / N° plane	Firma	Fecha / Date	Denominación / Denomination:	CONDUCCIONES DE AGUA / WATER PIPES	Lamina / Sheet	Fagor Industrial S.Coop. <b>FAGOR</b>
C-3028	<i>(Signature)</i>	2012-09	HORNOS AE; ACE; APE-201		7	Oñate



MOD.		HORNOS / OVEN	ZONA / ZONE	CONDUCCIONES DE AGUA / WATER PIPES							PLANO DIAGRAM	C-3028	
ITEM	CODIGO REFERENCE	DENOMINACION	DENOMINATION	ACE-201	AE-201	APE-201					ELIMINADO ELIMINATED	INTRODUCID. INTRODUCED	NOTAS
1	12025161	ELECTRO. 230VAC 50/60Hz 1VIA	SOLENOID VALVE 230VAC 1 V	2	-	-							
1	12023921	ELECTR. 230V AC 50/60Hz 3 VIAS A	SOLENOID 230V AC 50/60Hz 3 V	-	1	1							
2	12024509	REGULADOR 0,25L. VERDE	REGULATOR 0.25 L. GREEN	1	1	1							
3	12025263	REGULADOR 1L AMARILLO 255.005	CONTROLLER YELL. 1L 255,005	1	1	1							
4	12024000	TOBERA 1/8	NOZZLE 1/8	1	1	1					31.03.13		
4	12049131	BOQUILLA 1/8M-B-1-3	INJECTOR 1/8M-B-1-3	1	1	1						31.03.13	
5	12039468	CONDUCC. VAHOS COMPLETO	COMPLETE VAPOUR DUCT	1	1	1							
6	12023605	JUNTA TUBO INYECTOR	INJECTOR PIPE SEAL	1	1	1							
7	12043995	CHIMENEA COMPLETA 201 ACE	COMPL. FLUEPIPE 201 ACE	1	-	-							
7	12041127	CHIMENEA COMPLETA 201 ADV	COMPLET FLUEPIPE 201 ADV	-	1	1							
S/Nº	12024463	CONDENSADOR ELEC. 250V VDE	CONDENSER ELEC. 250V VDE	1	1	1							
S/Nº	11000003	TUBO SILICONA ALTA Tª Ø53x61	HIGH SILICON PIPE Tº Ø53x61	1	1	1					01.01.13		
S/Nº	12047901	EMPALME SILICONA Ø53	SILICONE JOINT Ø53	1	1	1						01.01.13	
	12007943	ABRAZADERA ELASTICA 62*66	ELAST. CLAMP 62*66	2	2	2							
8	12039546	MOTOBOMBA 230V AC 1N 50/60Hz	PUMP 230V AC 50/60Hz 30W 1N	-	1	1							
	12009944	ARANDELA A5	FLAT WASHER A.5	-	2	2							
	12009890	ARANDELA ABANICO A5 A.304	FAN SHAPED WASHER A.5	-	2	2							
	12010221	TORNILLO EXAGONAL M5X15	HEXAGONAL BOLT M5X15	-	2	2							
	12010126	REMACHE EXAGONAL M.6	HEXAGONAL RIVET M.6	-	2	2							
9	12039369	SOPORTE DUCHA 202	SHOWER 202 STAND	-	1	1							
10	12024800	DUCHA	SHOWER	-	1	1							
	12010267	ARANDELA 16X6X1.2 A.304	FLAT WASHER 16X6X1.2 A.304	-	2	2							
	12009882	ARANDELA ABANICO A6 A.304	FAN SHAPED WASHER A.6	-	2	2							
	12010186	TORNILLO EXAGONAL M6X15 A304	HEXAGONAL SCREW M6X15	-	2	2							
11	12025161	ELECTROVALV. 230VAC 50/60Hz 1V	SOLENOID VALVE 230VAC 1 V	-	1	1							
12	12024473	MANGUERA DESAGUE	DRAIN HOSE	-	-	1					02.12.12		
13	12024754	MOTORREDUCTOR 230V AC 1N	MOTOREDUCER 230V AC 1N	-	-	1							
14	12023906	CASQUILLO MOTOR MICRO	MICRO MOTOR BUSHING	-	-	1							
	12009876	TORNILLO ALOMADO M4X6 H.ZIN.	CURVED SCREW M4X6 H.ZIN.	-	-	2							
	12010262	TORNILLO AVELLANADO M4X15	COUNTERSUNK SCREW M.4x15	-	-	2							

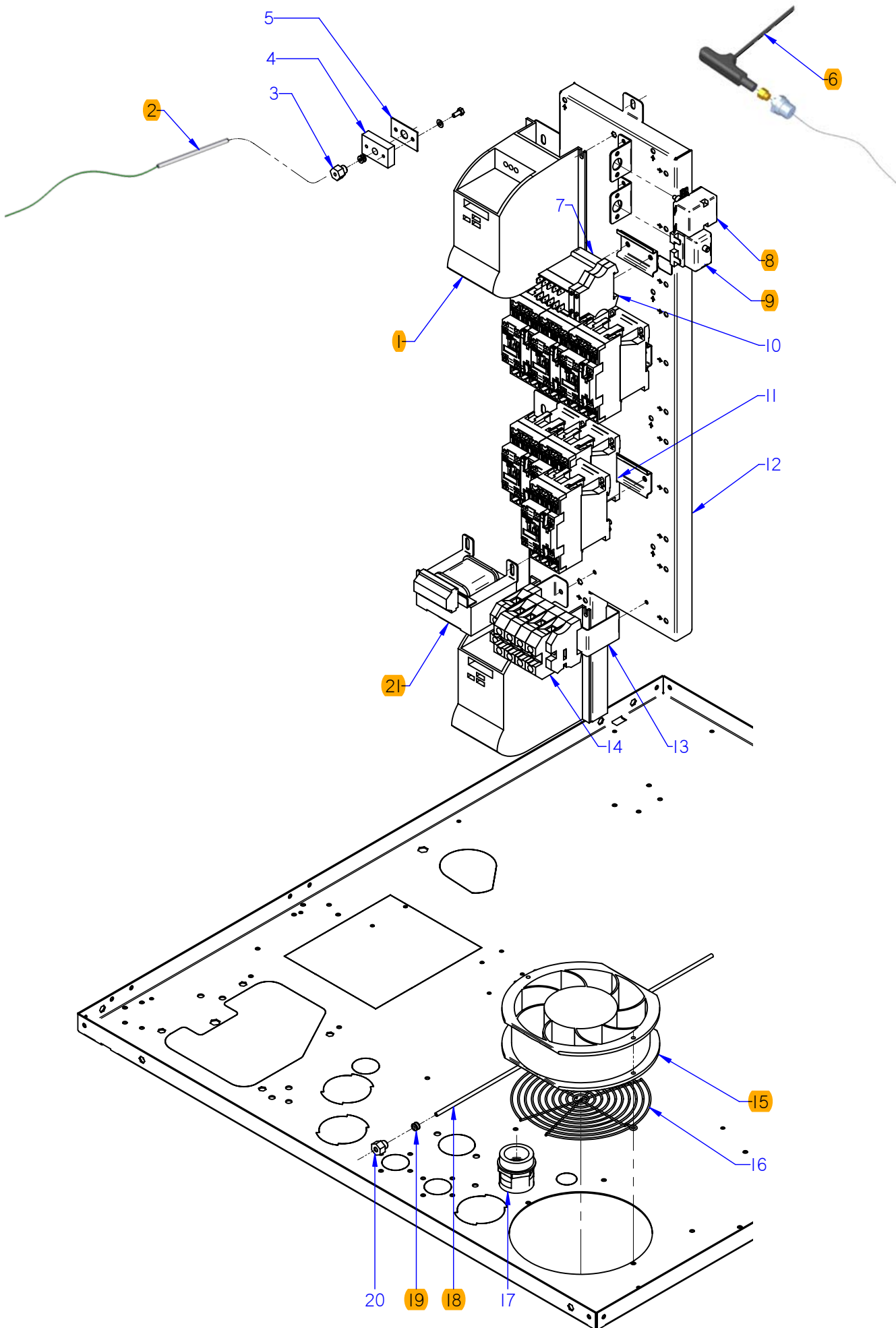
MOD.		HORNOS / OVEN		ZONA / ZONE		CONDUCCIONES DE AGUA / WATER PIPES						PLANO DIAGRAM		C-3028	
ITEM	CODIGO REFERENCE	DENOMINACION	DENOMINATION	ACE-201	AE-201	APE-201						ELIMINADO ELIMINATED	INTRODUCID. INTRODUCED	NOTAS	
15	12003203	TAPA SISTEMA LAVADO	TOP WASH SYSTEM	-	-	1									
	12010242	TORNIL. APLASTADO M5X13 A 304	FLAT SCREW M.5x13	-	-	4									
16	12009985	PLACA SEPARADORA	SPACER PLATE	-	-	4									
	12010247	TORNILLO ALOMADO M3X20	CURVED SCREW M3X20	-	-	7									
	12010289	TUERCA AUTOBLOCANTE M3	SELF-LOCKING NUT M3	-	-	7									
17	12025193	INTERRUPTOR PUERTA	DOOR SWITCH	-	-	2									
18	12003183	SOPORTE MICROS LAVADO	MICROS WASH STAND	-	-	1									
	12010163	REMACHE EXAGONAL M.5	HEXAGONAL RIVET M.5	-	-	4									
19	12023796	PUNTA ACOPLA MOTOR A VALVUL	CONN. POINT MOTOR TO VALVE	-	-	1									
	12019645	JUNTA TORICA Ø10x3.5	O-RING Ø10X3.5	-	-	1									
S/Nº	12010273	MANG. SUJEC. 4X14 DIN1481	CLAMPING SLEEVE 4x14 DIN 148	-	-	1									
20	12024796	CUERPO VALVULA COMPLETO	COMPLETE VALVE BODY	-	-	1									
	12010081	JUNTA TORICA Ø52X3,5	O-RING Ø52X3.5	-	-	1									
	12010131	JUNTA TORICA Ø33x3,5	O-RING Ø33x3.5	-	-	1									
	12024532	JUNTA TEFLON VALVULA	TEFLON VALVE BOARD	-	-	2									
	12009181	JUNTA TEFLON VALVULA	TEFLON VALVE BOARD	-	-	2									
21	12024407	GOMA VALVULA BOMBA GAS	PUMP VALVE RUBBER	-	-	1									
	12010023	ABRAZADERA 20-32	CLAMP 20-32	-	-	1									
	12009997	ABRAZADERA 25-40	CLAMP 25-40	-	-	1									
22	12024782	MOTOBOMBA 230V AC 1N 50Hz	MOTOR 230V AC 1N 50Hz 74,6	-	-	1									
	12009868	ARANDELA PLANA INOX 6MM	WASHER FLAT 6 MM INOX.	-	-	2									
	12009882	ARANDELA ABANICO A6 A.304	FAN SHAPED WASHER A.6	-	-	2									
	12010186	TORNILLO EXAGONAL M6X15 A304	HEXAGONAL SCREW M6X15	-	-	2									
S/Nº	12025198	MANGUERA ENTRADA AGUA	WATER INLET HOSE	1	1	1									
23	12047404	MOD CONJUNTO DESAGUE ADV	ADV DRAIN SET MODEL	1	1	1							03,12,12		



ITEM MARCADO EN COLOR = REPUESTO RECOMENDADO  
 COLOURED ITEM = RECOMMENDED SPARE PART

Nº plano / N° plane	Firma	Fecha / Date	Denominación / Denomination:	Lamina / Sheet	Fagor Industrial S.Coop. <b>FAGOR</b>
C-3029	<i>name (signature)</i>	2012-09	CIRCUITO DE VAPOR / STEAM CIRCUIT HORNOS AE-201; APE-201	8	Oñate

MOD.		HORNOS / OVEN		ZONA / ZONE		CIRCUITO DE VAPOR / STEAM CIRCUIT						PLANO DIAGRAM		C-3029	
ITEM	CODIGO REFERENCE	DENOMINACION	DENOMINATION	AE-201	APE-201							ELIMINADO ELIMINATED	INTRODUCID. INTRODUCED	NOTAS	
1	12046053	KIT GENERADOR VAPOR 102-201	STEAM GENERATOR 102-201 KIT	1	1										
S/Nº	11000157	TUBO SILICONA Tº Ø 26*18	HIGH SILICON PIPE Tº Ø 26*18	3	3										
	12009628	ABRAZADERA ELASTICA 26,7*28,1	ELAST. CLAMP 26,7*28,1	6	6										
2	12041855	TUBO FLEXIBLE Ø53X360 VARILLA	FLEXIBLE TUBE Ø53X360	1	1							01.01.13			
2	12047930	EMPALME GENERADOR 061	GENERATOR JOINT 601	1	1								01.01.13		
S/Nº	12047901	EMPALME SILICONA Ø53	SILICONE JOINT Ø53	2	2								01.01.13		
	12009962	ABRAZADERA 40*60	CLAMP 40*60	2	2										
3	12009699	TUERCA TAPON 1"	PLUG NUT 1"	1	1										
4	12009884	ARANDELA Ø32	WASHER Ø32	1	1										
5	12023573	ELECTRODO ALTO	HIGH LEVEL ELECTRODE	1	1										
6	12023574	ELECTRODO BAJO	LOW LEVEL ELECTRODE	1	1										
7	12023575	ELECTRODO DE MASA	EARTH ELECTRODE	1	1										
	12009987	ARANDELA A4	FLAT WASHER A4	3	3										
	12009839	TUERCA EXAGONAL M4	HEXAGONAL NUT M.4º	3	3										
8	12024460	GUIA AISLANTE	INSULATION GUIDE	3	3										
9	12024419	BOTE DE NIVELES	LEVELS VESSEL	1	1										
	12010044	TUERCA EXAGONAL M8 PLASTIC	HEXAGONAL NUT M8 PLASTIC	1	1										
10	12024752	RESISTENCIA 3x3000W 230V	RESISTOR 3x3000W 230V	1	1										
11	12023680	JUNTA CIERRE RESISTENCIAS	RESISTOR SEAL	3	3										
	12010284	TUERCA EXAGONAL M5	HEXAGONAL NUT M.5	18	18										
	12009944	ARANDELA A5	FLAT WASHER A.5	18	18										
	12009890	ARANDELA ABANICO A5 A.304	FAN SHAPED WASHER A.5	18	18										
12	12024747	RESISTENCIA 3x3000W	RESISTOR 3x3000W	2	2										
13	12024045	REGULADOR 8L 54.034 ROJO	REGULATOR 8L RED 54.034	1	1										
14	12023921	ELECTR. 230V AC 50/60Hz 3 VIAS A	SOLENOID 230V AC 50/60Hz 3 V	1	1										
S/Nº	11000083	T. GOMA NEGRA Ø17*10	BLACK RUBBER PIPE Ø17*10	1	1										
	12010036	ABRAZADERA 12*20	CLAMP 12-20	2	2										
15	12039649	TUBO DESAGUE GENERADOR	DRAIN TUBE GENERATOR	1	1										
	12009997	ABRAZADERA 25*40	CLAMP 25*40	2	2										
16	12039546	MOTOBOMBA 230V AC 1N 50/60Hz	PUMP 230V AC 50/60Hz 30W 1N	1	1										
17	12023901	CONJUNTO TERMOPAR VAPOR	STEAM THERMOCOUPLE UNIT	1	1										

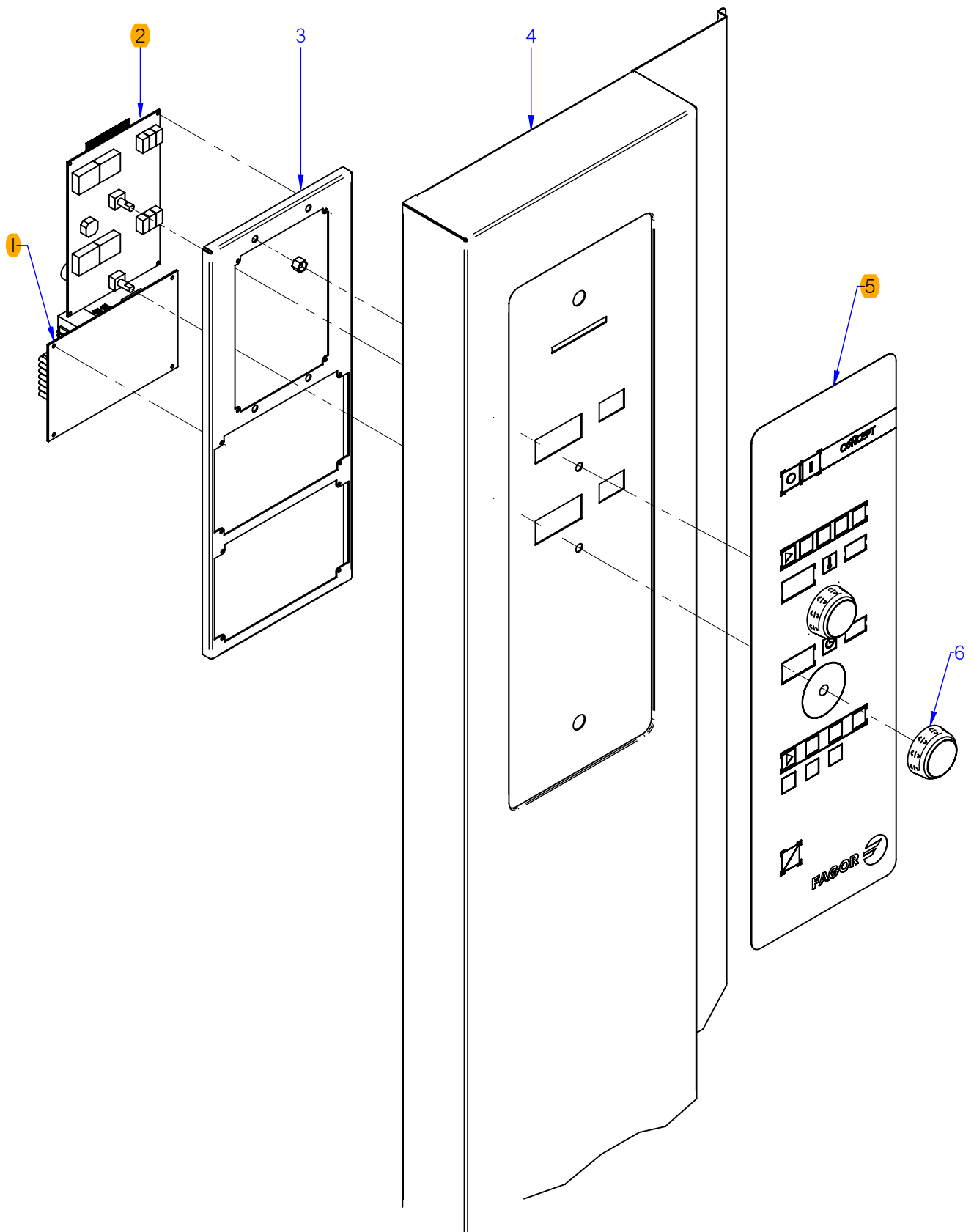


ITEM MARCADO EN COLOR = REPUESTO RECOMENDADO  
 COLOURED ITEM = RECOMMENDED SPARE PART

Nº plano / N° plane	Firma	Fecha / Date	Denominación / Denomination:	CUADRO ELECTRICO / ELECTRIC PANEL	Lamina / Sheet	Fagor Industrial S.Coop. <b>FAGOR</b>
C-3030	<i>name Benja</i>	2012-09	HORNOS AE; ACE; APE-201	9	Oñate	

MOD.		HORNOS / OVEN		ZONA / ZONE		CUADRO ELECTRICO / ELECTRIC PANEL						PLANO DIAGRAM		C-3030	
ITEM	CODIGO REFERENCE	DENOMINACION	DENOMINATION	ACE-201	AE-201	APE-201						ELIMINADO ELIMINATED	INTRODUCID. INTRODUCED	NOTAS	
1	12024329	VARIADOR FRECUENCIA SIE 0,37K	FREQUENCY VARIATOR SIE 0.37	2	2	2						26.02.13			
1	12048798	REP VARIADOR REGULADO ADV	REGULATED VARIATOR ADV	2	2	2							26.02.13		
	12009987	ARANDELA A4	FLAT WASHER A.4	8	8	8									
	12009928	ARANDELA ABANICO A4 A.304	FAN SHAPED WASHER A.4	8	8	8									
	12010278	TORNILLO ALOMADO M4X10	CURVED SCREW M.4x10	8	8	8									
	12009839	TUERCA EXAGONAL M4	HEXAGONAL NUT M.4º	8	8	8									
S/Nº	12025235	CONECTOR PASO 3,96MM 8 VIAS	CONNECTOR ROUTES 3,96MM 8	1	1	1									
2	12024642	CONJUN. TERMOPAR CAMARA (K)	CHAMBER THERMOCOUPLE UNI	1	1	1									
3	12023581	RACORD CIERRE SONDA	PROBE CLOSING ADAPTOR	1	1	1									
S/Nº	12024247	BICONO CIERRE SONDA	PROBE CLOSING BICONE	1	1	1									
4	12023737	BASE CIERRE SONDA	FIXING CORE PROBE	1	1	1									
5	12023504	JUNTA PASAMUROS SIMPLE	SIMPLE	1	1	1									
	12009987	ARANDELA A4	FLAT WASHER A.4	4	4	4									
	12010249	TORNILLO EXAGONAL M4X10	HEXAGONAL BOLT M4X10	4	4	4									
6	12039548	SONDA PINCHO ADVANCE	ADVANCE PROBE PINCHO	1	1	1									
	12010110	ARANDELA Ø 8.4X20X1.5	FLAT WASHER Ø 8.4X20X1.5	1	1	1									
	12040566	CONTRATUERCA H 1/4"	COUNTERNUT H 1/4"	1	1	1									
7	12024011	CONTACTOR 230 V. 50-60 HZ	230 V. 50-60 HZ CONTACTOR	1	1	1									
8	12024591	TERMOSTATO LIMITADOR 10/21	LIMITER THERMOSTAT10/21	1	1	1									
9	12024884	TERMOSTATO LIMITADOR CORTE	THERMOSTAT LIMITER		1	1									
S/Nº	12022001	SOPORTE TERMOS VAPOR	THERMOSTAT SUPPORT	2	2	2									
	12023499	TUERCA M.10x1 EGO 00.00600.075	NUT M.10x1 EGO 00.00600.075	2	2	2									
10	12025158	BORNAS PORTA FUSIBLES	FUSE HOLDER TERMINAL	2	2	2									
11	12041014	CONTAC. 230V AC 50/60Hz 40A3V	CONTAC. 230V AC 50/60Hz 40A3	6	6	6									
12	12041726	CUADRO ELECTRICO 201-202 ADV	ELECTRICAL PANEL 201-202 ADV	1	1	1									
	12010158	REMACHE EXAGONAL M.4	HEXAGONAL RIVET M.4	8	8	8									
13	12041971	CHAPA AMARRE CONT. 201 ADV	TIE PLATE CONT. ADV 201	1	1	1									
	12009944	ARANDELA A5	FLAT WASHER A.5	2	2	2									
	12009890	ARANDELA ABANICO A5 A.304	TIE PLATE contactor. ADV 201	2	2	2									
	12010221	TORNILLO EXAGONAL M5x15	HEXAGONAL SCREW M.5x15	2	2	2									

MOD.	HORNOS / OVEN		ZONA / ZONE	CUADRO ELECTRICO / ELECTRIC PANEL										PLANO DIAGRAM		C-3030		
														ITEM	CODIGO REFERENCE	DENOMINACION		DENOMINATION
	14	12024420	BORNA PASO 35MM	BORNA PASO 35MM	GREY PHASE 35 TERMINAL	3	3	3										
		12025143	BORNA PASO AZUL 35MM	BORNA PASO AZUL 35MM	NEUTRAL TERMINAL 35 BLUE	1	1	1										
		12024515	BORNA TIERRA 35MM	BORNA TIERRA 35MM	EARTH TERMINAL 35mm	1	1	1										
	15	12024106	VENTILADOR 230V AC 1N 50/60Hz	VENTILADOR 230V AC 1N 50/60Hz	FAN 230V AC 1N 50/60Hz 36KW	2	2	2										
	16	12024790	PROTECCI. VENTILADOR RM-155	PROTECCI. VENTILADOR RM-155	FAN PROTECTION RM-155	1	1	1										
		12009882	ARANDELA ABANICO A6 A.304	ARANDELA ABANICO A6 A.304	FAN SHAPED WASHER A.6	1	1	1										
		12009987	ARANDELA A4	ARANDELA A4	FLAT WASHER A.4	6	6	6										
		12009928	ARANDELA ABANICO A4 A.304	ARANDELA ABANICO A4 A.304	FAN SHAPED WASHER A.4	6	6	6										
	17	12009851	PRENSA ESTOPAS PG 29 D38	PRENSA ESTOPAS PG 29 D38	STUFFING BOX PG 29 D38	1	1	1										
		12009973	CONTRATUERCA GAES	CONTRATUERCA GAES	COUNTERNUT GAES	1	1	1										
	18	12041634	CON.TERMOPAR VAPOR KØ4-061	CON.TERMOPAR VAPOR KØ4-061	STEAM THERMOCOUPLE UNIT	1	1											
	18	12044609	CONJ. TERMOPAR L425	CONJ. TERMOPAR L425	L425 THERMOCOUPLE UNIT			1										
	19	12043409	BICONO CIERRE SONDA Ø4	BICONO CIERRE SONDA Ø4	PROBE CLOSING BICONE Ø4	1	1	1										
	20	12041049	RACORD CIERRE SONDA Ø 4	RACORD CIERRE SONDA Ø 4	PROBE CLOSING ADAPTOR Ø 4	1	1	1										
	21	12024173	TRANSFORMADOR 12-0-12-0,24-0	TRANSFORMADOR 12-0-12-0,24-0	TRANSFORMER 12-0-12-0,24-0	1	1	1										
	S/Nº	12024463	CONDENSADOR ELEC. 250V VDE	CONDENSADOR ELEC. 250V VDE	CONDENSER ELEC. 250V VDE			1										

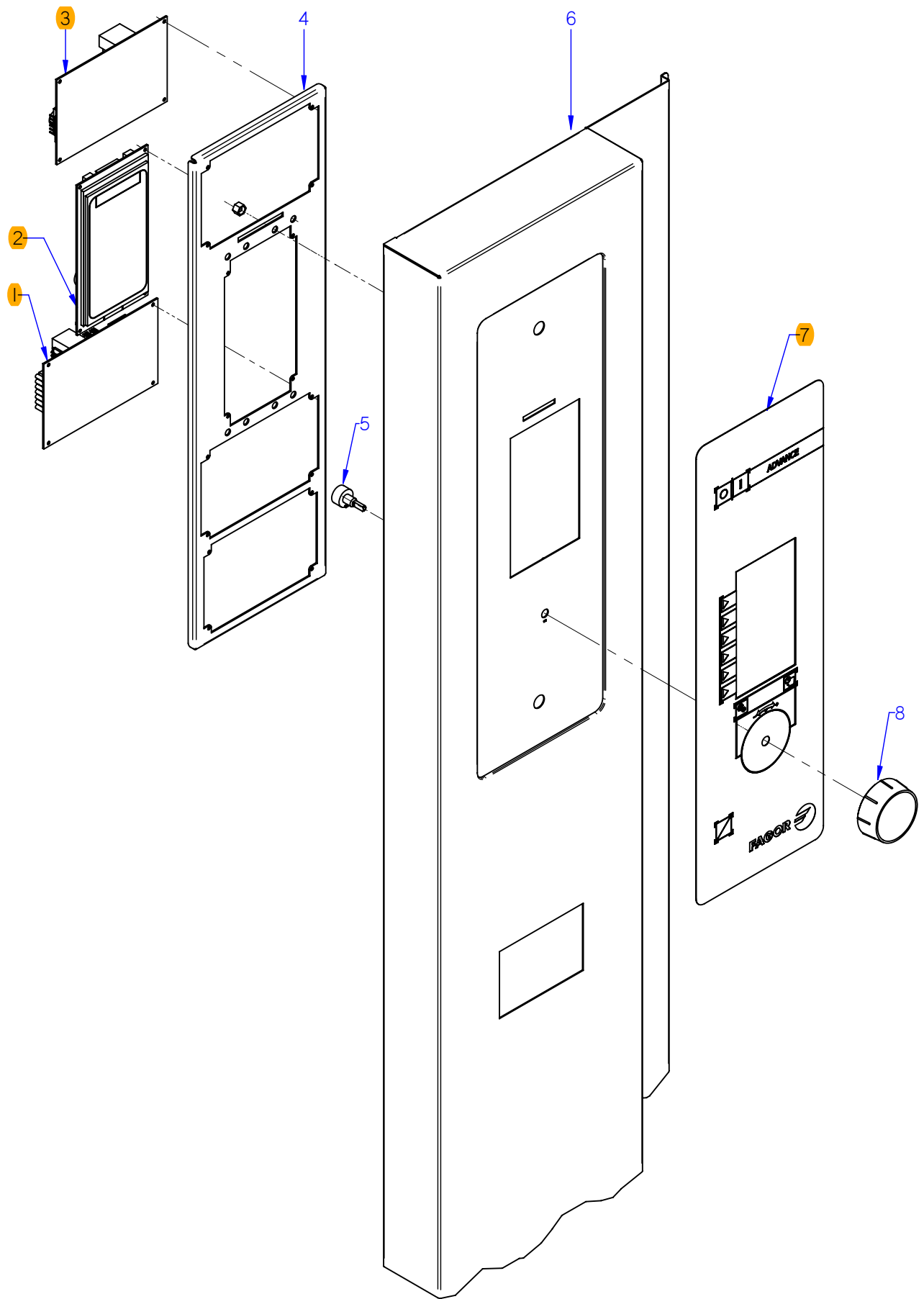


ITEM MARCADO EN COLOR = REPUESTO RECOMENDADO  
 COLOURED ITEM = RECOMMENDED SPARE PART

Nº plano / N° plane	Firma	Fecha / Date	Denominación / Denomination: PORTAMANDOS / CONTROL HOLDER	Lamina / Sheet	Fagor Industrial S.Coop. <b>FAGOR</b>
C-3031	<i>[Signature]</i>	2012-09	HORNOS ACE-201	10	Oñate



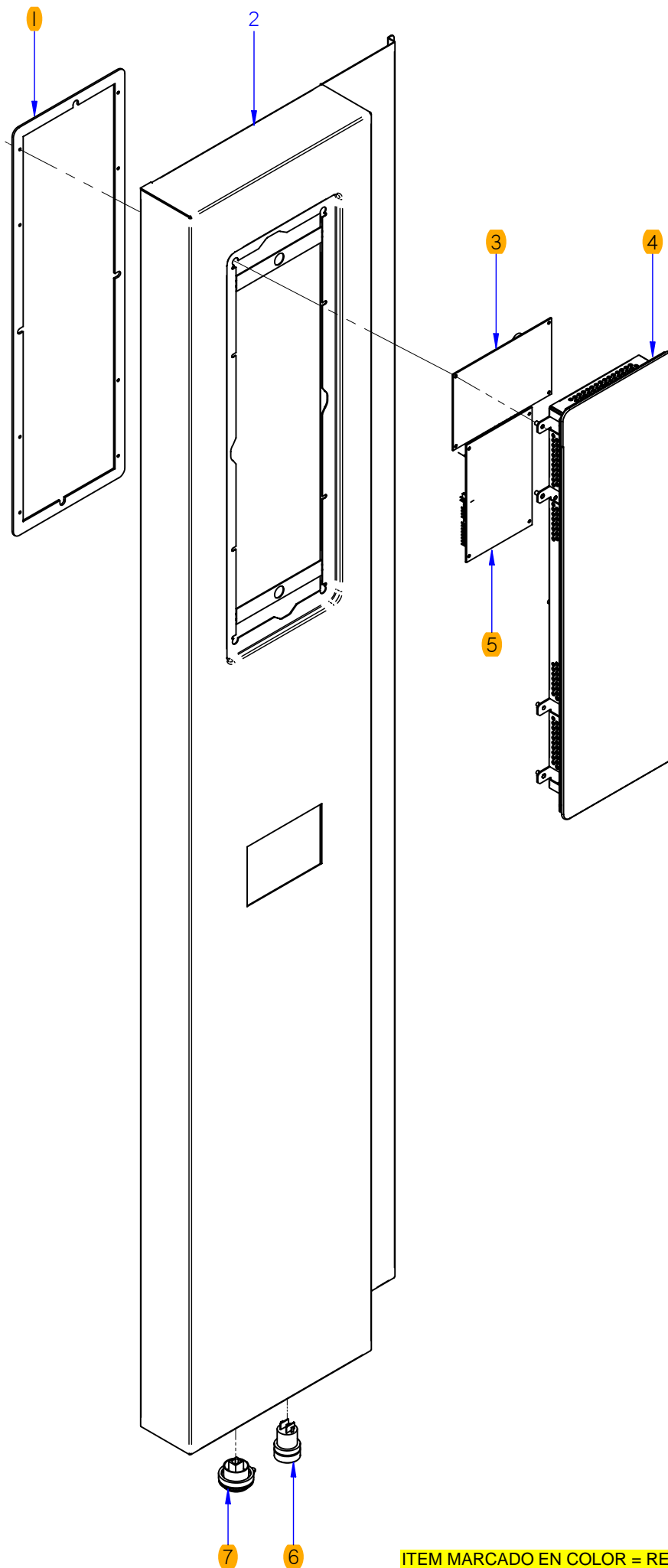
MOD.		HORNOS / OVEN		ZONA / ZONE		CONJUNTO ELECTRICO PORTAMANDOS / CONTROL HOLDER ELECTRIC UNIT						PLANO DIAGRAM		C-3031
ITEM	CODIGO REFERENCE	DENOMINACION	DENOMINATION	ACE-201								ELIMINADO ELIMINATED	INTRODUCID. INTRODUCED	NOTAS
1	12046659	CONTROL TARJETA CAM.12V AC .	CARD CONTROL 12V AC 50/60Hz	1										
2	12046671	VISUALIZADOR 12V AC 50/60Hz 12D	12V AC 50/60Hz 12D DISPLAY	1										
3	12043668	SOPORTE PROG. CONCEPT ADV	CIRCUIT SUPPO. CONCEPT AD	1										
4	12043998	PANEL PORTAMANDOS ACE 201	CONTROL PANEL ACE 201	1										
5	12044109	SERIGRAFIA CONCEPT ADVANCE	SERIGRAPHY CONCEPT ADVAN	1										
6	12046201	BOTON CONCEPT ADV	CONTROL BUTTON CONC. ADV	2										



ITEM MARCADO EN COLOR = REPUESTO RECOMENDADO  
 COLOURED ITEM = RECOMMENDED SPARE PART

Nº plano / N° plane C-3032	Firma <i>(Signature)</i>	Fecha / Date 2012-09	Denominación / Denomination: PORTAMANDOS / CONTROL HOLDER HORNOS AE-201	Lamina / Sheet 11	Fagor Industrial S.Coop. <b>FAGOR</b> Oñate
-------------------------------	-----------------------------	-------------------------	--	----------------------	--

MOD.		HORNOS / OVEN		ZONA / ZONE		CONJUNTO ELECTRICO PORTAMANDOS / CONTROL HOLDER ELECTRIC UNIT						PLANO DIAGRAM		C-3032	
ITEM	CODIGO REFERENCE	DENOMINACION	DENOMINATION	AE-201								ELIMINADO ELIMINATED	INTRODUCID. INTRODUCED	NOTAS	
1	12046659	CONTROL TARJETA CAM.12V AC .	CARD CONTROL 12V AC 50/60Hz	1											
2	12046672	VISUALIZADOR 12V AC 50/60Hz 32	12V AC 50/60Hz 32 D DISPLAY	1											
3	12046670	CONTROL TARJETA CALD. 12V AC	CARD CONTROL 12V AC 50/60Hz	1											
4	12039536	SOPORTE CIRCUITOS ADVANCE	CIRCUIT SUPPORT ADVANCE	1											
	12009944	ARANDELA A5	FLAT WASHER A.5	4											
	12010281	TUERCA EXAGONAL AUT M5 H. ZI.	HEXAGONAL NUT M5 H. ZINC,	4											
5	12043405	ENCODER GAMA ADVANCE	ADVANCE RANGE ENCODER	1											
6	12041099	PANEL PORTAMANDOS AE 201	CONTROL PANEL AE 201	1											
7	12044139	SERIGRAFIA ADVANCE	ADVANCE SERIGRAPHY	1											
8	12044074	BOTON DE MANDO ADV	ADV CONTROL BUTTON	1											



ITEM MARCADO EN COLOR = REPUESTO RECOMENDADO  
 COLOURED ITEM = RECOMMENDED SPARE PART

Nº plano / N° plane <b>C-3033</b>	Firma <i>name (benj)</i>	Fecha / Date <b>2012-09</b>	Denominación / Denomination: PORTAMANDOS / CONTROL HOLDER <b>HORNOS APE-201</b>	Lamina / Sheet <b>12</b>	Fagor Industrial S.Coop. <b>FAGOR</b>  Oñate
--------------------------------------	-----------------------------	--------------------------------	--	-----------------------------	--

MOD.	<b>HORNOS / OVEN</b>	<b>ZONA / ZONE</b>	<b>CONJUNTO ELECTRICO PORTAMANDOS / CONTROL HOLDER ELECTRIC UNIT</b>	<b>PLANO DIAGRAM</b>	<b>C-3033</b>
------	----------------------	--------------------	--	--------------------------	---------------

ITEM	CODIGO REFERENCE	DENOMINACION	DENOMINATION	APE-201											ELIMINADO ELIMINATED	INTRODUCID. INTRODUCED	NOTAS
1	12041815	JUNTA PORTAMANDOS ADV PLUS	CONTROL PANEL SEAL ADV PLU	1													
	12010289	TUERCA AUTOB. M3 DIN985	SELF-LOCK NUT M3 DIN985	6													
	12010288	CLIP SUJECIÓN RÁPIDA Ø 4	RAPID CONNECT CLIP Ø 4	12													
2	12043844	PANEL PORTAMANDOS APE 201	CONTROL PANEL APE 201	1													
3	12046670	CONTROL TARJETA CALD. 12V AC	CARD CONTROL 12V AC 50/60Hz	1													
4	12046579	PLAT ADV PLUS CON SOFTWARE	ADV PLUS SOFTWARE PLATF.	1													
5	12046659	CONTROL TARJETA CAM.12V AC .	CARD CONTROL 12V AC 50/60Hz	1													
6	12023927	PULSADOR SERIE MICRO	MICRO SWITCH SERIES	1													
7	12024064	CONECTOR USB VISUAL PLUS	VISUAL PLUS USB CONNECTOR	1													
S/Nº	12023647	TAPA USB VISUAL PLUS	VISUAL PLUS USB COVER	1													

MOD.	HORNOS / OVEN		ZONA / ZONE	VARIOS / MISCELLANEOUS								PLANO DIAGRAM		
ITEM	CODIGO REFERENCE	DENOMINACION	DENOMINATION	ACE-201	AE-201	APE-201						ELIMINADO ELIMINATED	INTRODUCID. INTRODUCED	NOTAS
	12045296	MANUAL DE USUARIO ADV CONCE	USER MANUAL ADV CONCEPT	1	-	-								
	12044975	MANUAL DE INSTALACION CONCE	INSTALLATION MANUAL CONCEP	1	-	-								
	12045298	MANUAL DE USUARIO ADVANCE	USER MANUAL ADVANCE	-	1	-								
	12044976	MANUAL DE INSTALACION ADVANC	INSTALLATION MANUAL ADVAN.	-	1	-								
	12045299	MANUAL DE USUARIO ADV PLUS	USER MANUAL ADV PLUS	-	-	1								
	12044977	MANUAL INSTALAC. ADV PLUS E.	INSTALL. MANUAL ADV PLUS E.	-	-	1								
	12041777	ESQUEMA TEORICO ADE	THEORETICAL DIAGRAM ADE	1	1	1								
	12041895	PLANO MONTAJE ACE, AE, APE	ASSEMBLY PLAN ACE, AE, APE	1	1	1								
	12043770	INSTAL. ELECTRICA ACE 201, 202	ELEC. INSTALL. ACE 201, 202	1	-	-								
	12041729	INST. ELECTR. APE, AE, 202, 201	ELEC. INSTA. APE, AE, 202, 201	-	1	1								
	12043797	CABLEADO ACE 20 2	WIRING ACE 20 2	1	-	-								
	12043793	CABLEADO FUERZA ACE 20 2	POWER WIRE ACE 20 2	1	-	-								
	12008538	CABLEADO FUERZA VE102	POWER WIRE VE102	-	1	1								
	12041781	CABLEA. RESISTENCIAS APE 201	RESISTOR WIRING APE 201	-	1	1								
	12024575	CABLEADO LUZ INTERIOR 20-21	INTERIOR LIGHT WIRING 20-21	1	1	1								
	12023696	CABLEADO BMF	WIRING BMF	1	1	1								
	12040567	CABLEADO LAVADO 201-102-202	WIRING CABLE 201-102-202	-	-	1								
	12008976	CABLEADO PULSADOR RESET	RESET BUTTON WIRING	-	-	1								
	12023775	CABLE USB VISUAL PLUS 1,5M	VISUAL PLUS USB CABLE 1,5M	-	-	1								
	12009277	CD HACCP VISUAL COMPLETO	HACCP CD COMPLETE VISUAL	-	-	1								
	12022177	LEYENDA HORNOS	LEGEND OVENS	1	1	1								

MOD.	HORNOS / OVEN		ZONA / ZONE	REPUESTOS RECOMENDADOS RECOMMENDED SPARE PART							PLANO DIAGRAM			
ITEM	CODIGO REFERENCE	DENOMINACION	DENOMINATION	ACE-201	AE-201	APE-201						ELIMINADO ELIMINATED	INTRODUCID. INTRODUCED	NOTAS
	12046022	KIT PUERTA 201	DOOR 201 KIT	1	1	1								C-3023
1	12041083	KIT CRISTAL INTER. 201	201 INNER GLASS KIT	1	1	1								C-3023
5	12039326	SUPLEMENTO SUJ. CERRADURA	LOCK FIXING SUPPLEMENT	1	1	1								C-3023
6	12024389	GUIA MANILLA	HANDLE GUIDE	1	1	1								C-3023
11	12024505	SOPORTE RESORTE	SPRING HOLDER	1	1	1								C-3023
12	12044776	ASA COMPLETA 2/1 ADVANCE	HANDLE 2/1 ADVANCE	1	1	1								C-3023
13	12039311	BASE BISAGRA INFERIOR PUERTA	LOWER DOOR HINGE BASE	1	1	1								C-3023
16	12024560	INTERRUPTOR MAGNETICO AC	MAGNETIC SWITCH AC	1	1	1								C-3023
19	12024673	MECANISMO CIERRE	CLOSING MECHANISM	1	1	1								C-3023
21	12024657	ELEMENTO CIERRE	CLOSING COMPONENT	2	2	2								C-3023
25	12041134	JUNTA PUERTA COMPL.201 ADV	DOOR JOINT 201 ADV	1	1	1								C-3023
6	12024464	MARCO LAMPARA	LAMP ANCHORING PLATEN	2	2	2								C-3024
S/Nº	12023532	JUNTA INTERIOR LAMPARA	LAMP INNER JOINT	2	2	2								C-3024
S/Nº	12023668	CRISTAL LAMPARA	LAMP GLASS	2	2	2								C-3024
S/Nº	12023578	JUNTA EXTERIOR LAMPARA	LAMP OUTER JOINT	2	2	2								C-3024
S/Nº	12024545	PORTALAMPARAS	LAMP HOLDER	2	2	2								C-3024
S/Nº	12025123	LAMPARA 10W-12V	LIGHT 10W 12V	2	2	2								C-3024
1	12024325	MOTOR 230V AC 3N650KW 1450RP	MOTOR 230V AC 3N650KW 1450	2	2	2								C-3026
4	12024510	RETEN 17X28X7V	RETAINER 28x17x7	4	4	4								C-3026
5	12010122	ANILLO DE SEGURIDAD Ø 28X1.2	SAFETY RING 28x1,2	2	2	2								C-3026
6	12024306	TURBINA RECTA Ø350X127 HANN.	TURBINE RECTA Ø350X127 HAN	2	2	2								C-3026
7	12041165	JUNTA RESIST. CIRCULAR 1/1 ADV	RESIST. CIRCULAR 1/1 ADV SEAL	4	4	4								C-3026
8	12039496	RESIST.CONVECCION INT. 9Kw AD	CONVECTION RESIST. INT. ADV	2	2	2								C-3026
9	12039497	RESIST.CONVECCION EXT. 9Kw AD	RESIST.CONVECCION EXT. ADV	2	2	2								C-3026
11	12025193	INTERRUPTOR PUERTA	DOOR SWITCH	2	2	2								C-3027
12	12024638	MOTOR CHIMENEA	FLUEPIPE MOTOR	1	1	1								C-3027
14	12024122	TUBO FLEXIBLE Ø53X360	FLEXIBLE TUBE Ø53X360	1	1	1								C-3027
1	12025161	ELECTRO. 230VAC 50/60Hz 1VIA	SOLENOID VALVE 230VAC 1 V	2	-	-								C-3028
1	12023921	ELECTR. 230V AC 50/60Hz 3 VIAS A	SOLENOID 230V AC 50/60Hz 3 V	-	1	1								C-3028
8	12039546	MOTOBOMBA 230V AC 1N 50/60Hz	PUMP 230V AC 50/60Hz 30W 1N	-	1	1								C-3028
10	12024800	DUCHA	SHOWER	-	1	1								C-3028

MOD.	HORNOS / OVEN		ZONA / ZONE	REPUESTOS RECOMENDADOS RECOMMENDED SPARE PART							PLANO DIAGRAM		
ITEM	CODIGO REFERENCE	DENOMINACION	DENOMINATION	ACE-201	AE-201	APE-201					ELIMINADO ELIMINATED	INTRODUCID. INTRODUCED	NOTAS
11	12025161	ELECTROVALV. 230VAC 50/60Hz 1V	SOLENOID VALVE 230VAC 1 V	-	1	1							C-3028
13	12024754	MOTORREDUCTOR 230V AC 1N	MOTOREDCER 230V AC 1N	-	-	1							C-3028
17	12025193	INTERRUPTOR PUERTA	DOOR SWITCH	-	-	2							C-3028
20	12024796	CUERPO VALVULA COMPLETO	COMPLETE VALVE BODY	-	-	1							C-3028
22	12024782	MOTOBOMBA 230V AC 1N 50Hz	MOTOR 230V AC 1N 50Hz 74,6	-	-	1							C-3028
23	12047404	MOD CONJUNTO DESAGUE ADV	ADV DRAIN SET MODEL	1	1	1						03,12,12	C-3028
1	12046053	KIT GENERADOR VAPOR 102-201	STEAM GENERATOR 102-201 KIT	-	1	1							C-3029
S/Nº	11000157	TUBO SILICONA Tº Ø 26*18	HIGH SILICON PIPE Tº Ø 26*18	-	3	3							C-3029
	12009628	ABRAZADERA ELASTICA 26,7*28,1	ELAST. CLAMP 26,7*28,1	-	6	6							C-3029
2	12041855	TUBO FLEXIBLE Ø53X360 VARILLA	FLEXIBLE TUBE Ø53X360	-	1	1					01.01.13		C-3029
2	12047930	EMPALME GENERADOR 061	GENERATOR JOINT 601	-	1	1						01.01.13	C-3029
5	12023573	ELECTRODO ALTO	HIGH LEVEL ELECTRODE	-	1	1							C-3029
6	12023574	ELECTRODO BAJO	LOW LEVEL ELECTRODE	-	1	1							C-3029
7	12023575	ELECTRODO DE MASA	EARTH ELECTRODE	-	1	1							C-3029
10	12024752	RESISTENCIA 3x3000W 230V	RESISTOR 3x3000W 230V	-	1	1							C-3029
11	12023680	JUNTA CIERRE RESISTENCIAS	RESISTOR SEAL	-	3	3							C-3029
12	12024747	RESISTENCIA 3x3000W	RESISTOR 3x3000W	-	2	2							C-3029
14	12023921	ELECTR. 230V AC 50/60Hz 3 VIAS A	SOLENOID 230V AC 50/60Hz 3 V	-	1	1							C-3029
15	12039649	TUBO DESAGUE GENERADOR	DRAIN TUBE GENERATOR	-	1	1							C-3029
16	12039546	MOTOBOMBA 230V AC 1N 50/60Hz	PUMP 230V AC 50/60Hz 30W 1N	-	1	1							C-3029
17	12023901	CONJUNTO TERMOPAR VAPOR	STEAM THERMOCOUPLE UNIT	-	1	1							C-3029
1	12024329	VARIADOR FRECUENCIA SIE 0,37K	FREQUENCY VARIATOR SIE 0.37	2	2	2					26.02.13		C-3030
1	12048798	REP VARIADOR REGULADO ADV	REGULATED VARIATOR ADV	2	2	2						26.02.13	C-3030
2	12024642	CONJUN. TERMOPAR CAMARA (K)	CHAMBER THERMOCOUPLE UNI	1	1	1							C-3030
6	12039548	SONDA PINCHO ADVANCE	ADVANCE PROBE PINCHO	1	1	1							C-3030
8	12024591	TERMOSTATO LIMITADOR 10/21	LIMITER THERMOSTAT10/21	1	1	1							C-3030
9	12024884	TERMOSTATO LIMITADOR CORTE	THERMOSTAT LIMITER	-	1	1							C-3030
15	12024106	VENTILADOR 230V AC 1N 50/60Hz 36KW	FAN 230V AC 1N 50/60Hz 36KW	2	2	2							C-3030
18	12041634	CON.TERMOPAR VAPOR KØ4-061	STEAM THERMOCOUPLE UNIT	1	1	-							C-3030
18	12044609	CONJ. TERMOPAR L425	L425 THERMOCOUPLE UNIT	-	-	1							C-3030
19	12043409	BICONO CIERRE SONDA Ø4	PROBE CLOSING BICONE Ø4	1	1	1							C-3030

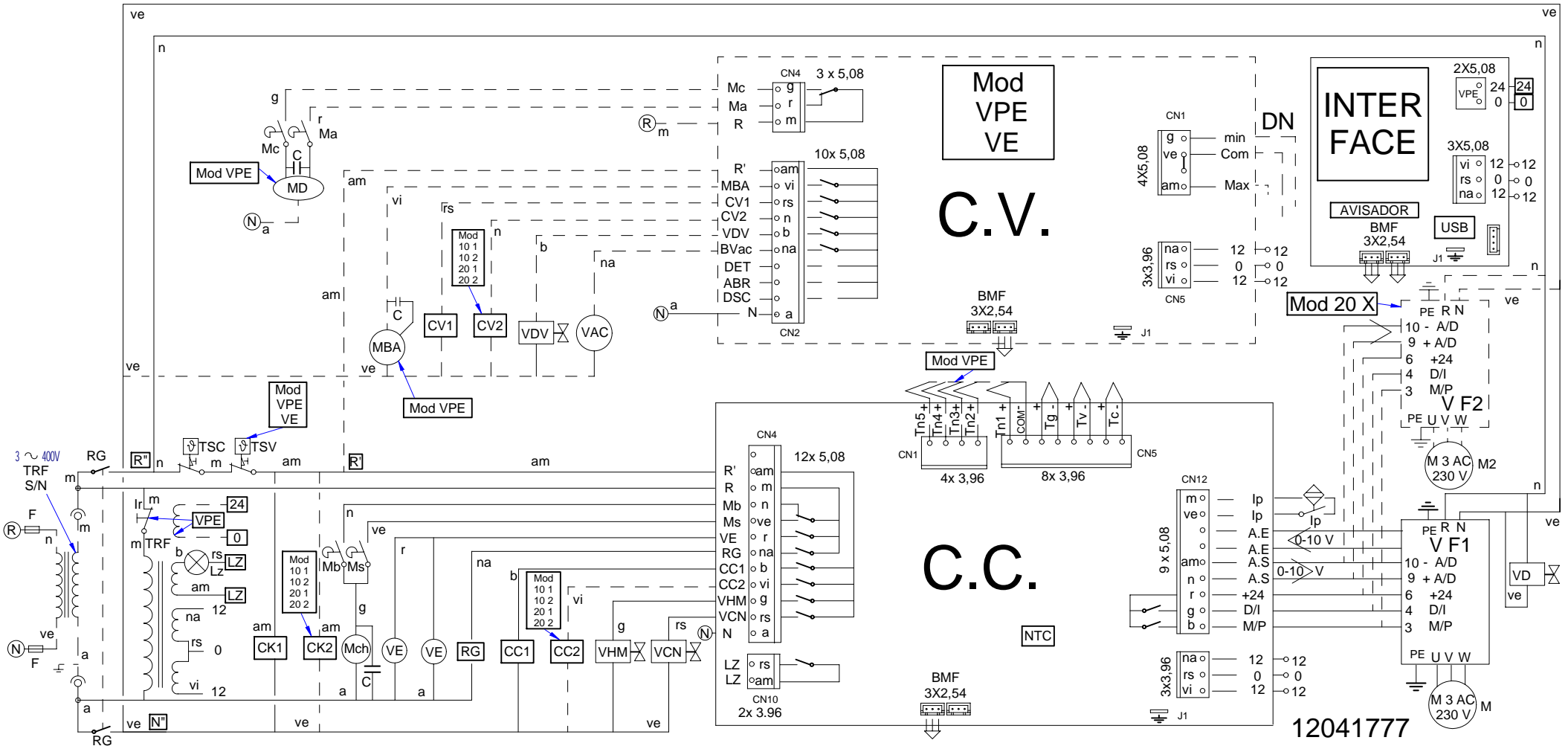
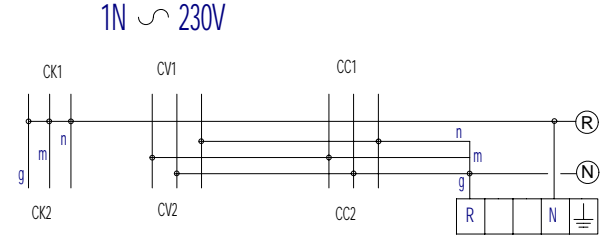
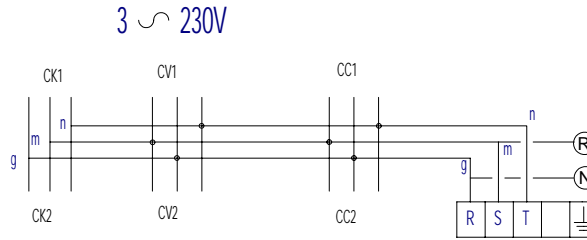
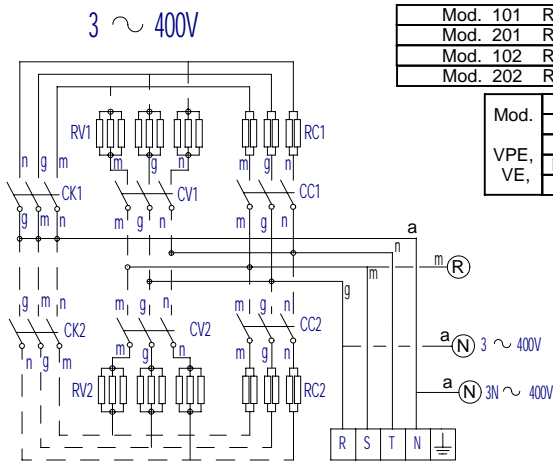


MOD.	HORNOS / OVEN		ZONA / ZONE	REPUESTOS RECOMENDADOS RECOMMENDED SPARE PART							PLANO DIAGRAM				
	ITEM	CODIGO REFERENCE		DENOMINACION	DENOMINATION	ACE-201	AE-201	APE-201							ELIMINADO ELIMINATED
	21	12024173	TRANSFORMADOR 12-0-12-0,24-0	TRANSFORMER 12-0-12-0,24-0	1	1	1								C-3030
	S/Nº	12024463	CONDENSADOR ELEC. 250V VDE	CONDENSER ELEC. 250V VDE	—	—	1								C-3030
	1	12046659	CONTROL TARJETA CAM.12V AC .	CARD CONTROL 12V AC 50/60Hz	1	—	—								C-3031
	2	12046671	VISUALIZADOR 12V AC 50/60Hz 12D	12V AC 50/60Hz 12D DISPLAY	1	—	—								C-3031
	5	12044109	SERIGRAFIA CONCEPT ADVANCE	SERIGRAPHY CONCEPT ADVAN	1	—	—								C-3031
	1	12046659	CONTROL TARJETA CAM.12V AC .	CARD CONTROL 12V AC 50/60Hz	—	1	—								C-3032
	2	12046672	VISUALIZADOR 12V AC 50/60Hz 32D	12V AC 50/60Hz 32 D DISPLAY	—	1	—								C-3032
	3	12046670	CONTROL TARJETA CALD. 12V AC	CARD CONTROL 12V AC 50/60Hz	—	1	—								C-3032
	5	12043405	ENCODER GAMA ADVANCE	ADVANCE RANGE ENCODER	—	1	—								C-3032
	7	12044139	SERIGRAFIA ADVANCE	ADVANCE SERIGRAPHY	—	1	—								C-3032
	1	12041815	JUNTA PORTAMANDOS ADV PLUS	CONTROL PANEL SEAL ADV PLU	—	—	1								C-3033
	3	12046670	CONTROL TARJETA CALD. 12V AC	CARD CONTROL 12V AC 50/60Hz	—	—	1								C-3033
	4	12046579	PLAT ADV PLUS CON SOFTWARE	ADV PLUS SOFTWARE PLATF.	—	—	1								C-3033
	5	12046659	CONTROL TARJETA CAM.12V AC .	CARD CONTROL 12V AC 50/60Hz	—	—	1								C-3033
	6	12023927	PULSADOR SERIE MICRO	MICRO SWITCH SERIES	—	—	1								C-3033
	7	12024064	CONECTOR USB VISUAL PLUS	VISUAL PLUS USB CONNECTOR	—	—	1								C-3033
	S/Nº	12023647	TAPA USB VISUAL PLUS	VISUAL PLUS USB COVER	—	—	1								C-3033

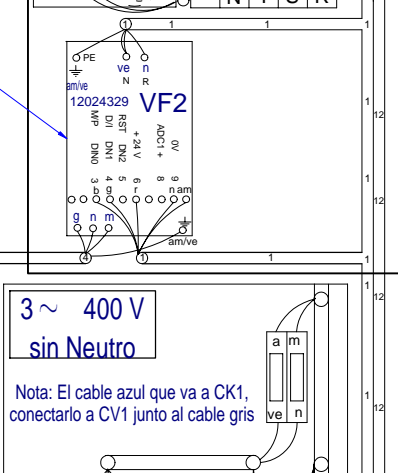
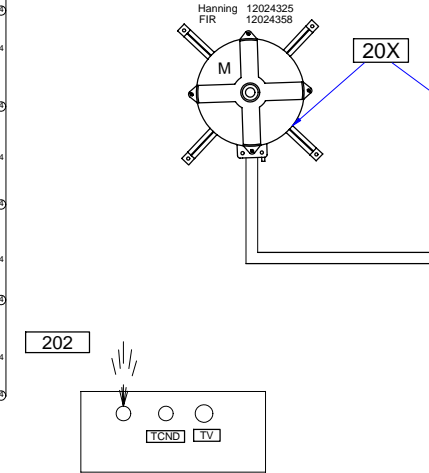
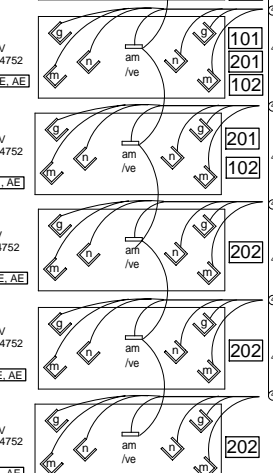
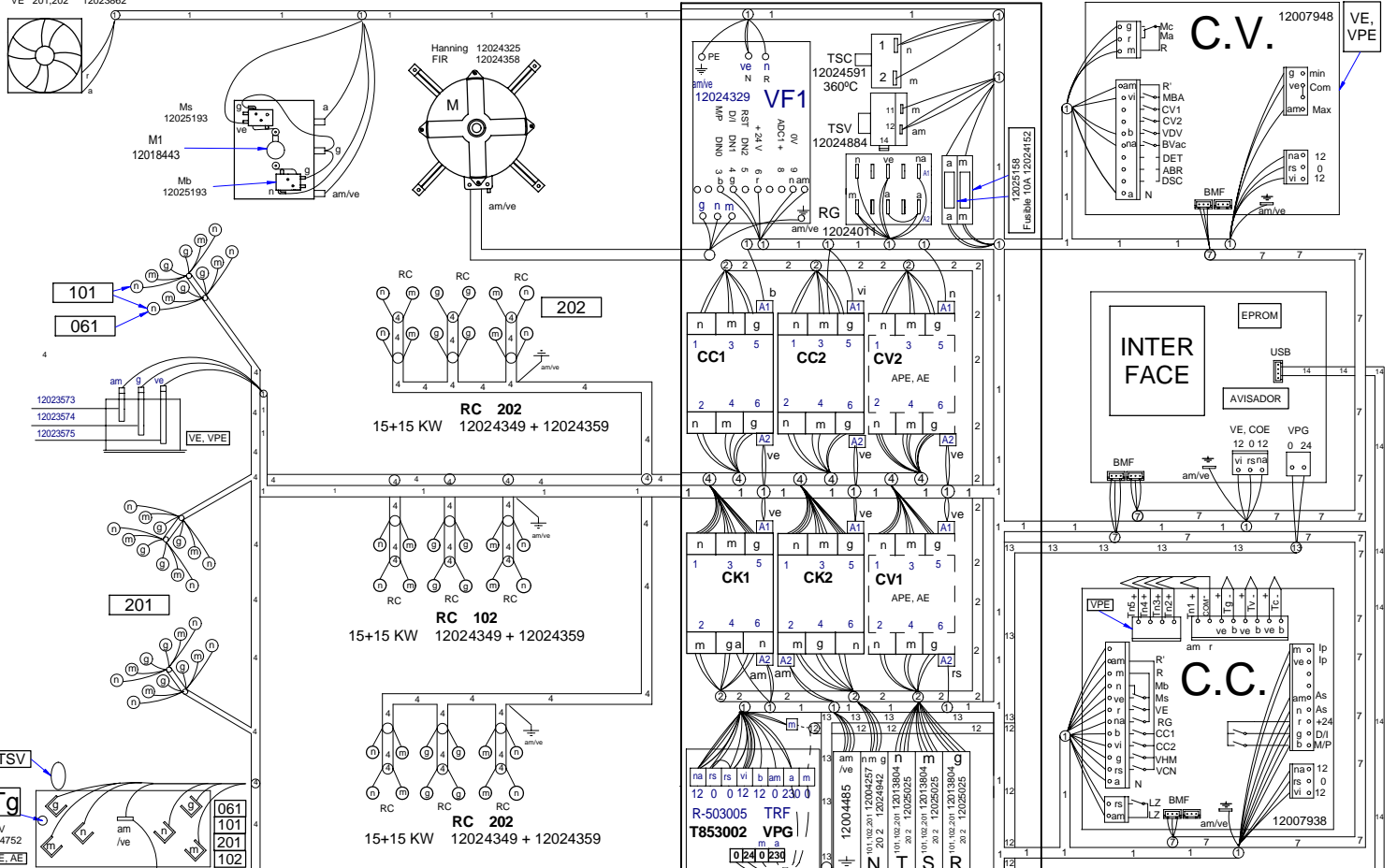
APE 06 1, APE 10 1, APE 10 2, APE 20 1, APE 20 2  
 AE 06 1, AE 10 1, AE 10 2, AE 20 1, AE 20 2  
 ACE 06 1, ACE 10 1, ACE 10 2, ACE 20 1, ACE 20 2

Mod. 101	RC2=3x3KW	Mod. 061, 101	RC1=3x3KW
Mod. 201	RC2=3x6KW	Mod. 201	RC1=3x6KW
Mod. 102	RC2=3x5KW	Mod. 102	RC1=3x5KW
Mod. 202	RC2=6x5KW	Mod. 202	RC1=6x5KW

Mod.	Mod. 061, 101	RV1=3x3KW
	Mod. 201, 102	RV1=6x3KW
	Mod. 202	RV1=9x3KW
VPE, VE,	Mod. 101, 102, 201	RV2=3x3KW
	Mod. 202	RV2=9x3KW



12041777

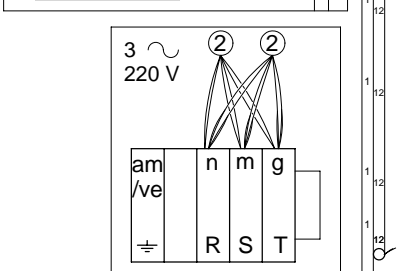
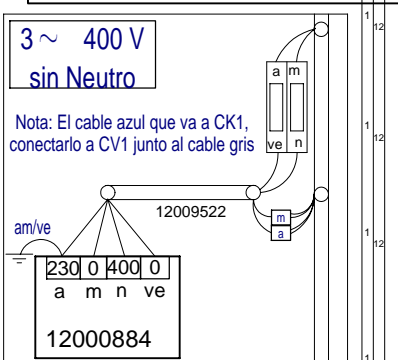


**Variador de Siemens.**  
Pulsar [F] para entrar o salir de los Parmetros.  
Nota: Si se modifica algun valor del nivel Basico, hay que volver a grabar el nivel 3.

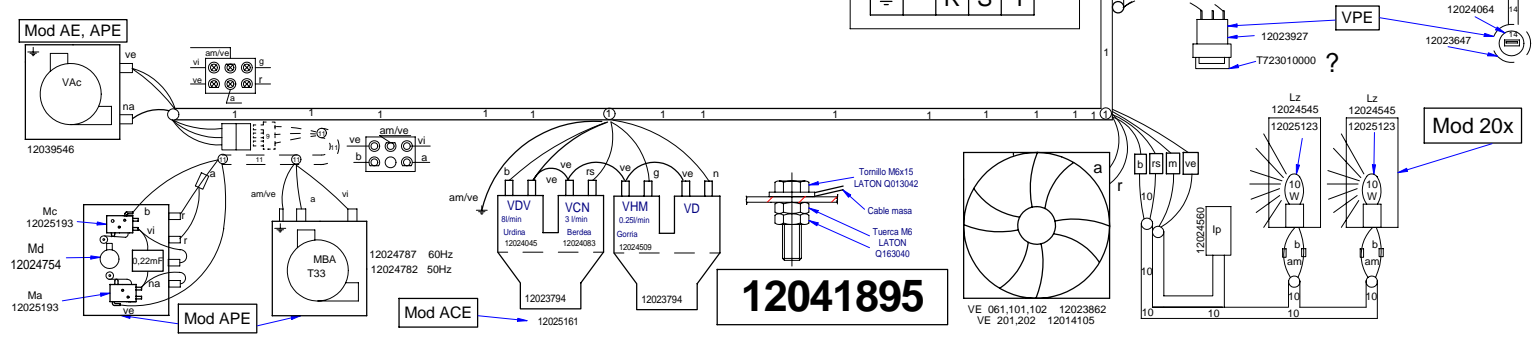
- P0010 = 1 Para inicio programación. (Nivel Basico)
- P0100 = 0 ( Valor en KW 50Hz Europa)
- P0304 = 230 (Vn V)
- P0305 = 1.8 (Inb A)
- P0307 = 0,37 (Ph Kw)
- P0310 = 50 (Fm Hz)
- P0311 = 1400 (rpm Nom)
- P0700 = 2 (Terminal)
- P1000 = 2 (Consigna ADC)
- P1080 = 25 (F.min Hz)
- P1082 = 50 (F.Max Hz)
- P1120 = 5 (Ton °)
- P1121 = 5 (Toff °)
- P3900 = 1 (Fin de la programación y grabación de datos.)
- P0003 = 3 (Nivel 3 Experto).**
- P0005 = 27 (Visualizacion = Corriente de salida)
- P0611 = 16000 (Tiempo de activación de sobrecarga Seg.)
- P0640 = 150 (Sobrecarga de corriente en %)
- P1210 = 6 (Rearranque automático)
- P1300 = 2 (Modo Parábola, Ventilador)
- P1800 = 16 (F. Base KHz) (Cuanto mas alto: ruido acústico)
- P2000 = 50 (F. Referencia de la consigna Hz)

COPIAR PARAMETROS DESDE EL BOP AL VARIADOR.  
P0003 = 3  
P0010 = 30  
P0803 = 1

SOLO USAR CUANDO EL BOP SE HA BORRADO  
P0802 desde Variador a BOP



	APE, AE		ACE		
	10 1	10 2	20 1	20 2	10 1
General	1	12041848	12041729	12043770	12043773
FUERZA	2	12009443	12008538	12041830	12043793
CC,CV,CK		12024040	12041014	12043505	12041014
Resist	4	12041911	12009450	12041781	12041804
BMF	7			12023696	12009626
Lz	10	12024569		12024575	12024569
Lav (APE)	11	12009059	12040567	-	-
Rst (APE)	12		12008976	-	-
TFT (APE)	13		12009257	-	-
USB (APE)	14		12023775	-	-
Esquema	-			12041777	-
Leyenda	-			12022177	-
Ind.Comp	-			12022160	-



**12041895**

	ESPAÑOL	FRANÇAIS	ENGLISH	DEUTSCH	ITALIANO
BEC	Bujía Encendido Cámara	Chamber Allumage Chambre	Chamber Spark Plug	Zündkerze Einschalten Garraum	Candela di Accensione Camera
BEV	Bujía Encendido Caldera	Bougie Allumage Chaudière	Boiler Spark Plug	Zündkerze Einschalten Boile	Candela di Accensione Caldaia
C.C.	Control Camara	Contrôle Chambre	Chamber Control	Steuerung Garraum	Controllo Camera
C.E.C	Control Combustión Cámara	Contrôle Combustion Chambre	Chamber Combustion Control	Steuerung Verbrennung Garraum	Controllo Combustione Camera
C.E.V	Control Combustión Caldera	Contrôle Combustion Chaudière	Boiler Combustion Control	Steuerung Verbrennung Boiler	Controllo Combustione Caldaia
C.G.	Control Gas	Contrôle Gaz	Control Gas	Steuern Sie Gas	Controlli il gas
C.V.	Control Caldera	Contrôle Chaudière	Boiler Control	Steuerung Boiler	Controllo Caldaia
CC1, CC2	Contactador Resistencia Cámara	Contacteur Élément Chauffant Chambre	Chamber Heating Element Contactor	Schütz Heizwiderstand Garraum	Contattore Resistenza Camera
CK1, CK2	Contactador General Calentamiento	Relais Élément Chauffant	Heating Element Relay	Relais Heizwiderstand	Relè Resistenza
CV1, CV2	Contactador Resistencias Caldera	Contacteur Élément Chauffant Chaudière	Boiler Heating Element Contactor	Schütz Heizwiderstand Boiler	Contattore Resistenza Caldaia
DEC	Detector Llama Cámara	Détecteur Flamme Chambre	Chamber Flame Detector	Flammendetektor Garraum	Rilevatore di Fiamma Camera
DEV	Detector Llama Caldera	Détecteur Flamme Chaudière	Boiler Flame Detector	Flammendetektor Boiler	Rilevatore di Fiamma Caldaia
DN	Detector Nivel Caldera	Détecteur Niveau Chaudière	Boiler Level Detector	Pegeldetektor Boiler	Rilevatore Livello Caldaia
F	Fusibles	Fusibles	Fuses	Sicherungen	Fusibili
FI	Filtro Interferencias	Filtre Interférences	Interference Filter	Störungsfilter	Filtro Interferenze
FM	Térmico Motor	Thermique Moteur	Thermal Engine	Thermoschalter Motor	Termico Motore
GV1, GV2	Electro válvula Gas Cámara	Électrovanne Gaz Chambre	Chamber Gas Solenoid Valve	Elektroventil Gas Garraum	Elettrovalvola Gas Camera
GV3, GV4	Electro válvula Gas Caldera	Électrovanne Gaz Chaudière	Boiler Gas Solenoid Valve	Elektroventil Gas Boiler	Elettrovalvola Gas Caldaia
Ip	Interruptor Seguridad Puerta	Interrupteur Sécurité Porte	Door Safety Switch	Sicherheitsschalter Tür	Itteruttore Sicurezza Porta
Lz	Luz Interior	Éclairage Intérieur	Inner Light	Innenbeleuchtung	Luce Interna
M, M2	Motor Turbina	Moteur Turbine	Turbine Engine	Motor Turbine	Motore Turbina
Ma	Interruptor Micro Abierto	Microrupteur Ouvert	Open Microswitch	Mikroschalter Geöffnet	Itteruttore Micro Aperto
Mb	Interruptor Micro Bajada	Microrupteur Descente	Drop Microswitch	Mikroschalter Senken	Itteruttore Micro Discesa
Mc	Interruptor Micro Cerrado	Microrupteur Fermé	Closed Microswitch	Mikroschalter Geschlossen	Itteruttore Micro Chiuso
Mch	Motor Chimenea	Moteur Cheminée	Stack Engine	Motor Abluftkamin	Motore Canna
MD	Motor Desague	Moteur évacuation	Drain Engine	Motor Abfluss	Motore scolo
Ms	Interruptor Micro Subida	Microrupteur Montée	Rise Microswitch	Mikroschalter Heben	Itteruttore Micro Salita
PF	Potenciómetro Selector Funciones	Potentiomètre Sélecteur Fonctions	Functions Selector Potentiometer	Potentiometer Funktionswahlschalter	Potenziometro Selettore Funzioni
RC	Resistencias Cámara	Éléments Chauffants Chambre	Chamber Heating Element	Heizwiderstände Garraum	Resistenze Camere
RG	Rele General	Relais Général	Main Relay	Hauptrelais	Relè principale
RV	Resistencias Caldera	Éléments Chauffants Chaudière	Boiler Heating Element	Heizwiderstände Boiler	Resistenze Caldaia
Tc	Sonda Cámara	Sonde Chambre	Chamber Probe	Sonde Garraum	Sonda Camera
TCN	Termostato Condensación	Thermostat Condensation	Condensation Thermostat	Thermostat Kondensierung	Termostato Condensazione
Tg	Sonda Caldera	Sonde Chaudière	Boiler Probe	Sonde Boiler	Sonda Caldaia
Tn	Sonda Núcleo	Sonde Noyau	Core Probe	Kerntemperaturmesssonde	Sonda Nucleo
TRF	Transformador	Transformateur	Transformer	Transformator	Trasformatore
TSC	Termostato Seguridad Cámara	Thermostat Sécurité Chambre	Chamber Safety Thermostat	Sicherheitsthermostat Garraum	Termostato Sicurezza Camera
TSV	Termostato Seguridad Caldera	Thermostat Sécurité Chaudière	Boiler Safety Thermostat	Sicherheitsthermostat Boiler	Termostato Sicurezza Caldaia
Tv	Sonda Vapor	Sonde Vapeur	Steam Probe	Sonde Dampf	Sonda Vapore
VAC	Bomba Vaciado	Pompe Vidange	Vacuum Pump	Ablasspumpe	Pompa scarico
MBA	Moto Bomba Aclarado	Pompe Rinçage	Rinsing Pump	Pumpe Ausspülen	Pompa Risciacquo
VC1, VC2	Ventilador Soplante Camara	Ventilateur Soufflant	Blowing Fan	Ventilator Gebläse	Ventilatore Soffiante
VCN	Electro válvula Condensación	Électrovanne Condensation	Condensation Solenoid Valve	Elektroventil Kondensierung	Elettrovalvola Condensazione
VDV	Electro válvula Llenado Caldera	Électrovanne Remplissage Chaudière	Chamber Filling Solenoid Valve	Elektroventil Füllung Boiler	Elettrovalvola di Rimpimento Caldaia
VE	Ventilador Cuadro Eléctrico	Ventilateur Tableau Électrique	Fan Switchboard	Ventilator Elektrotafel	Ventilatore Quadro Elettrico
VF1,VF2	Variador de Frecuencia	Variateur Vitesse	Speed Variator	Geschwindigkeitsregler	Variatore di Velocità
VHM	Electro válvula Humidificador	Électrovanne Humidificateur	Humidifier Solenoid Valve	Elektroventil Befeuchtungsvorrichtung	Elettrovalvola Umidificatore
Vv	Ventilador Soplante Caldera	Ventilateur soufflement chaudière	Boiler Blowing Fan	Durchbrennenventilator zum Dampfkessel	Ventilatore Soffiante caldaia
	<b>COLORES</b>	<b>COULEURS</b>	<b>COLOUR</b>	<b>FARBEN</b>	<b>COLORE</b>
a	Azul	Bleu	Blue	Blau	Blu
am	Amarillo	Jaune	Yellow	Gelb	Giallo
am/ve	Amarillo/verde	Jaune / vert	Yellow / green	Gelb/grün	Giallo/verde
b	Blanco	Blanc	White	Weiß	Bianco
g	Gris	Gris	Grey	Grau	Grigio
m	Marrón	Marron	Brown	Braun	Marrone
n	Negro	Noir	Black	Schwarz	Nero
na	Naranja	Orange	Orange	Orange	Arancio
r	Rojo	Rouge	Red	Rot	Rosso
rs	Rosa	Rose	Pink	Rosa	Roseo
ve	Verde	Vert	Green	Grün	Verde
vi	Violeta	Violet	Purple	Violett	Viola